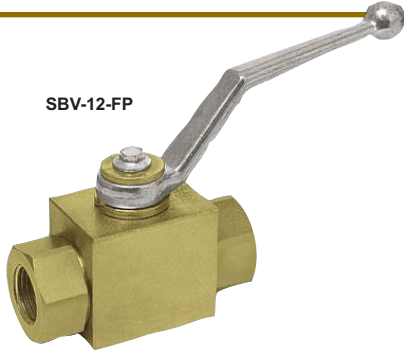


BALL VALVES

S SERIES- STEEL BALL VALVES- HIGH PRESSURE



1/4" thru 2"

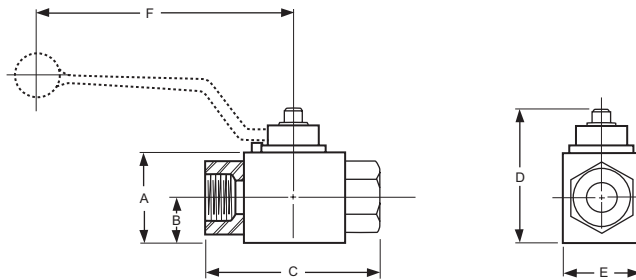


SBV-12-FP

Specifications

1. 1/4" thru 1-1/2" NPT or SAE
2. Maximum pressure based on size and temperature (see below chart)
3. Recommended for petroleum based fluids- ISO VG32-68
4. **Temperature Rating:** 14 to 212°F, (-10 to 100°C)
5. Standard POM Ball Seals with Buna stem seals
6. Full Port (Except 1-1/4" & 1-1/2") Code **R** = Reduced Port

S Series Steel Ball Valves- High Pressure



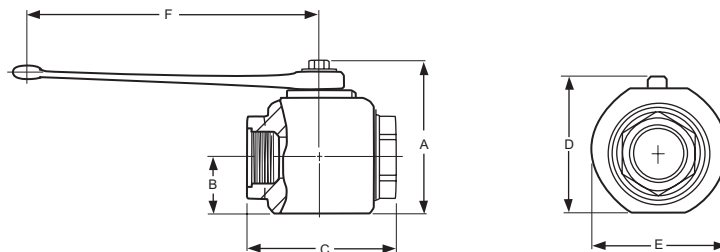
SIZE (P)	Model (NPT)	Model (SAE)	Max. Pressure	A	B	C	D	E	F
1/4"	SBV-4FP	SBV-4FS	7250 psi	1.38	.55	2.80	1.93	1.18	4.33
3/8"	SBV-6FP	SBV-6FS	7250 psi	1.57	.67	2.87	2.13	1.38	4.33
1/2"	SBV-8FP	SBV-8FS	7250 psi	1.69	.71	3.27	2.24	1.46	4.33
3/4"	SBV-12FP	SBV-12FS	5800 psi	2.17	.91	3.74	2.87	1.77	7.09
1"	SBV-16FP	SBV-16 FS	5075 psi	2.56	1.14	4.45	3.27	2.17	7.09
1-1/4"	SBVR-20FP	(not available)	5075 psi	2.56	1.14	4.76	3.27	2.17	7.09
1-1/2"	SBVR-24FP	(not available)	5075 psi	2.56	1.14	4.88	3.27	2.17	7.09



S Series Steel Ball Valves- High Pressure
Full Flow (Round Body) 1-1/4" thru 2"

Specifications

1. 1-1/4" thru 2" NPT or SAE
2. Maximum pressure based on size and temperature (see below chart)
3. Recommended for petroleum based fluids- ISO VG32-68
4. **Temperature Rating:** -4 to 212°F, (-20 to 100°C)
5. Standard POM Ball Seals with Buna stem seals
6. Full Port



SIZE (P)	Model (NPT)	Model (SAE)	Max. Pressure	A	B	C	D	E	F
1-1/4"	SBV-20FP	SBVF-20FS	5075 psi	3.25	1.65	4.53	3.98	3.46	11.81
1-1/2"	SBV-24FP	SBVF-24FS	5075 psi	3.86	1.89	5.16	4.53	4.02	11.81
2"	SBV-32FP	SBVF-32FS	5075 psi	4.06	2.03	5.51	4.72	4.29	11.81

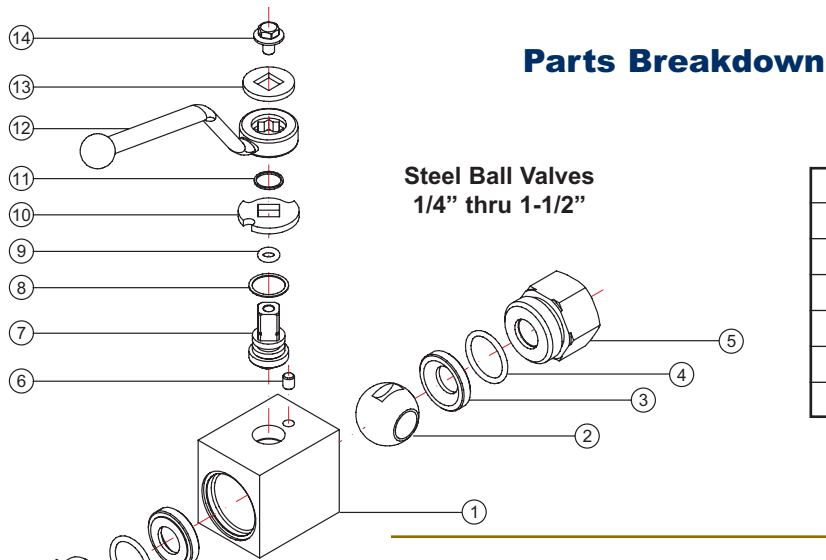


BALL VALVES

S SERIES- STEEL BALL VALVES- HIGH PRESSURE

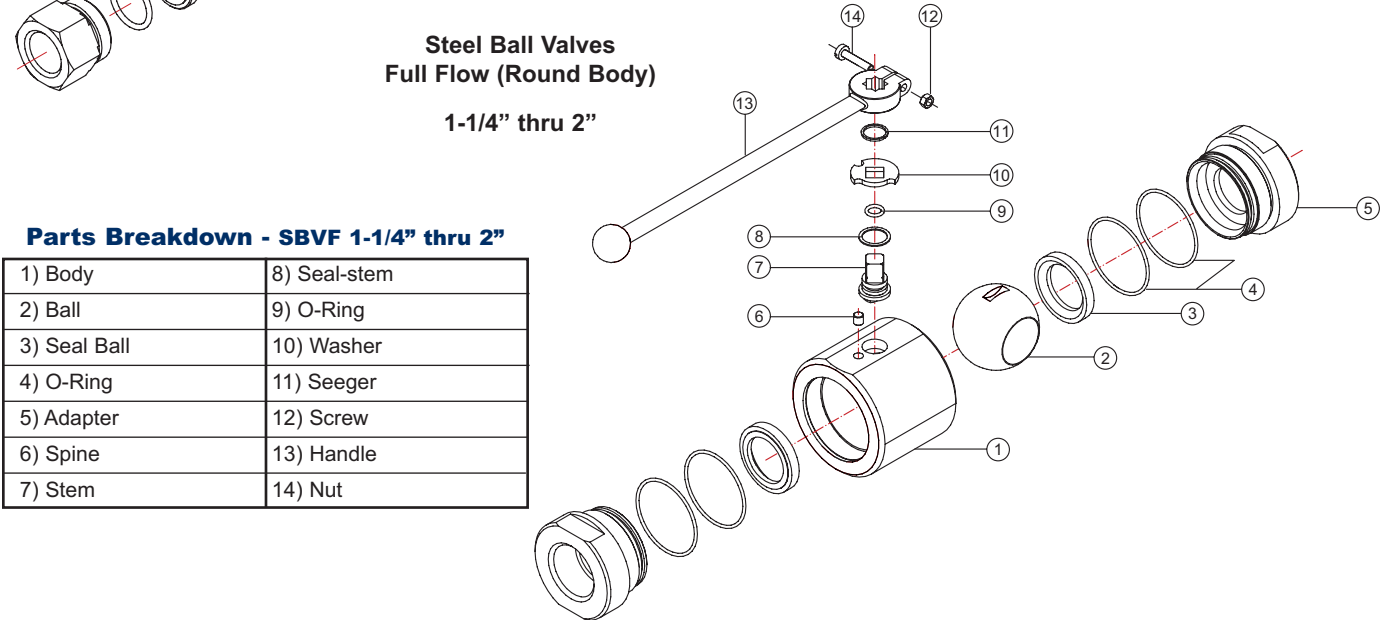


1/4" thru 2"



Parts Breakdown - SBV 1/4" thru 1-1/2"

1) Body	8) Seal-stem
2) Ball	9) O-Ring
3) Seal Ball	10) Washer
4) O-Ring	11) Seeger
5) Adapter	12) Handle
6) Spine	13) Washer
7) Stem	14) Screw



Parts Breakdown - SBVF 1-1/4" thru 2"

1) Body	8) Seal-stem
2) Ball	9) O-Ring
3) Seal Ball	10) Washer
4) O-Ring	11) Seeger
5) Adapter	12) Screw
6) Spine	13) Handle
7) Stem	14) Nut

Ordering Information

SBV - 12 - FP

Code	Style
SBV	Steel Ball Valve - Standard (Full Port)
SBVR	Steel Ball Valve - (Reduced Port)

Code	Size
4	1/4"
6	3/8"
8	1/2"
12	3/4"
16	1"
20	1-1/4"
24	1-1/2"
32	2"

Code	Connection
FP	NPT
FS	SAE

*SBV 20 & 24 (SAE not available).

