

BALL VALVES

D SERIES- STAINLESS STEEL BALL VALVES

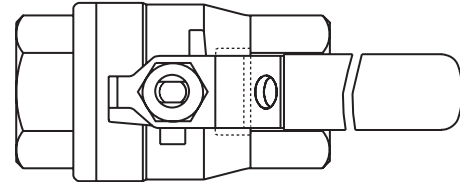


1/4" thru 2"



Specifications

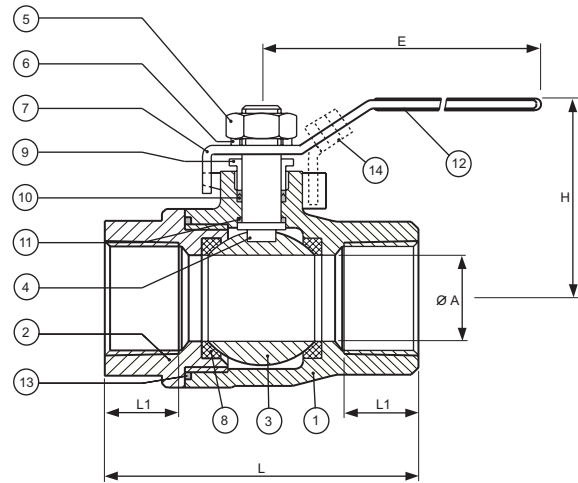
1. 2 Piece, Full Ported Design
2. 1/4" thru 2" Female NPT
3. 1000 psi maximum (see pressure vs temp. chart)
4. Oil, Water, Air and General Chemical Service
5. **Temperature Rating:** -20 to 350°F, (-25 to 175°C)



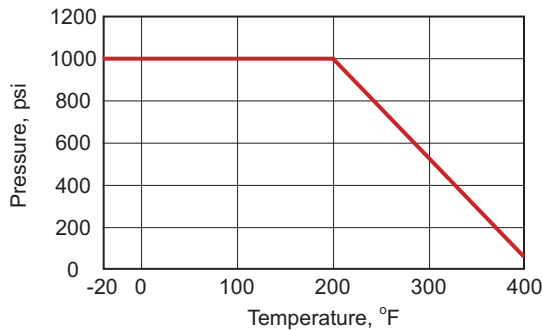
Materials

1. Body- ASTM A351 GR. CF8M
2. End Cap- ASTM A351 GR. CF8M
3. Ball- 316SS
4. Stem- 316SS
5. Stem Nut- 304SS
6. Stem Washer- 304SS
7. Handle- 304SS
8. Seat- PTFE
9. Gland Nut- 304SS
10. Stem Packing- PTFE
11. Thrust Washer- PTFE
12. Handle Sleeve- Vinyl
13. Joint Gasket- PTFE
14. Locking Device (option "V2")- 304SS

Dimensional Data



Pressure/ Temperature Curve



SIZE	Model	Ø A	E	H	L1	L	Wt kg (lb)
1/4"	D-BV-4FP-V2	11.2(0.44)	96(3.78)	50(1.96)	12(0.47)	49(1.93)	0.23(0.50)
3/8"	D-BV-6FP-V2	12.6(0.49)	98(3.86)	50(1.96)	13(0.51)	55(2.17)	0.23(0.50)
1/2"	D-BV-8FP-V2	15.0(0.59)	98(3.86)	55(2.17)	14(0.55)	52(2.05)	0.36(0.79)
3/4"	D-BV-12FP-V2	20.0(0.78)	114(4.49)	64(2.52)	16(0.63)	60(2.36)	0.47(1.03)
1"	D-BV-16FP-V2	25.0(0.98)	125(4.92)	67(2.64)	18(0.71)	72(2.83)	0.82(1.81)
1-1/4"	D-BV-20FP-V2	32.0(1.26)	138(5.43)	84(3.31)	20(0.79)	87(3.43)	1.17(2.58)
1-1/2"	D-BV-24FP-V2	38.0(1.49)	190(7.48)	86(3.38)	22(0.86)	110(4.33)	1.82(4.01)
2"	D-BV-32FP-V2	50.0(1.96)	190(7.48)	95(3.74)	25(0.98)	126(4.96)	2.83(6.24)

Units: mm (inches)

Ordering Information

DBV - 4 - FP - V2

Code	Style	Code	Size	Code	Size	Code	Connection	Optional
DBV	Stainless Steel Ball Valve	4	1/4"	16	1"	FP	Female Pipe	V2- Handle w/ Locking Device
		6	3/8"	20	1-1/4"			
		8	1/2"	24	1-1/2"			
		12	3/4"	32	2"			

