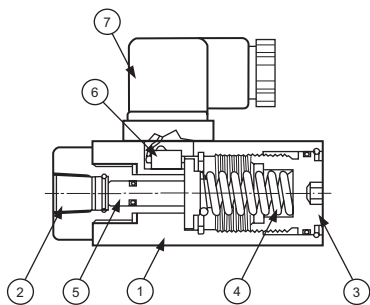


Ordering Information

PS20 - 2K

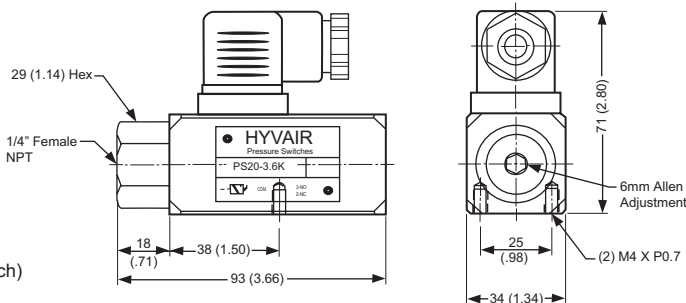
Code	Pressure Range
.5K	90-500 psi
1K	90-1000 psi
2K	200-2000 psi
3.6K	500-3600 psi



1. Body- (Iron)
2. Connection Port 1/4"
3. Pressure Adj. Screw
4. Spring
5. Piston
6. Micro Switch
7. Electrical DIN Conn.



PS20 Pressure Switch



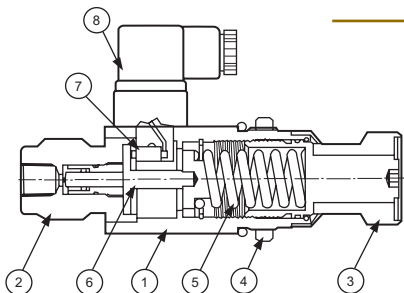
Units: mm/ (Inch)

Ordering Information

PS20 - 5K -K

Code	Pressure Range
1.5K	200-1000 psi
3.6K	500-3600 psi
5K	700-5000 psi

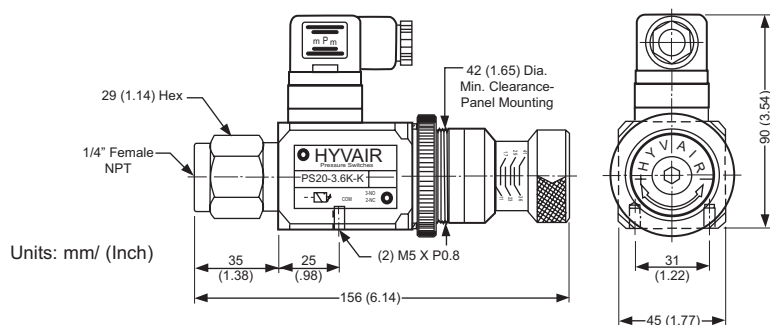
Code	Option
K	Knurled Adjustment Knob with Pressure Read Out Scale



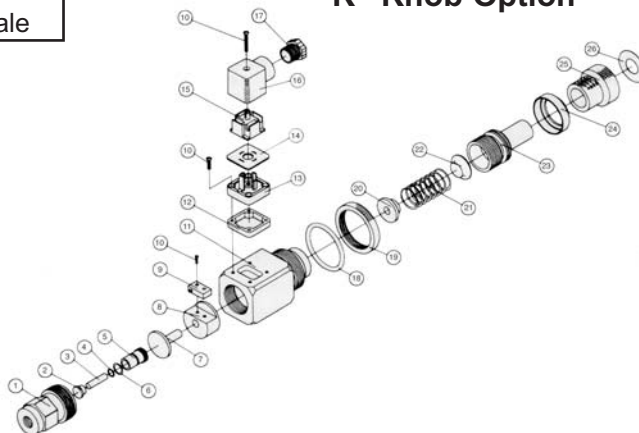
1. Body- (Iron)
2. Connection Port 1/4"
3. Pressure Adj. Knob
4. Panel Mount Nut
5. Spring
6. Piston
7. Micro Switch
8. Electrical DIN Conn.



PS20 Pressure Switch "K" Knob Option



Units: mm/ (Inch)



INSTRUMENTATION/ ELECTRONICS



PRESSURE SWITCHES

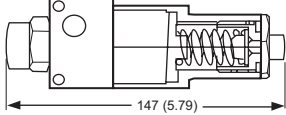


PS30 Pressure Switch

Features

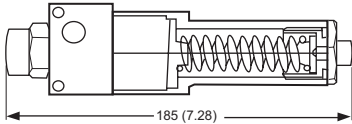
- Hydraulic Input - Pneumatic Output
- Stainless Wetted Parts
- Anodized Aluminum Body
- For Pilot Circuits Only
- CV = .15

PS30



147 (5.79)
Units: mm/ (Inch)

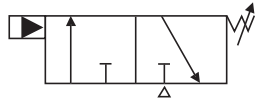
PS30-L



185 (7.28)

Operating Pressure

Air Pressure: 0 - 150 psi
Hydraulic Pressure: 0 - 5000 psi



Ordering Information

PS30 - L - 3K - omit - K

- Hydraulic Input
- Pneumatic Output
- 18 to 22% Dead Band

Optional L = Long

12 to 16% Dead Band

Range

- 1K - 1000psi
- 2K - 2000psi
- 3K - 3000psi

Air Signal

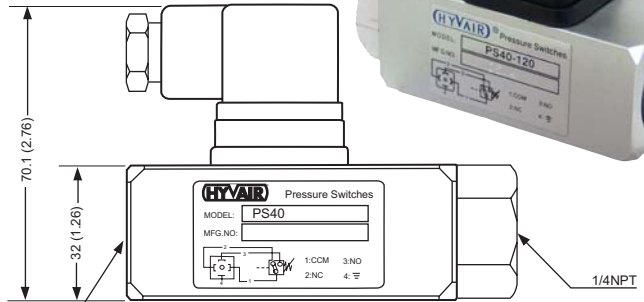
- omit - 2 Pos • 3 way • Normally Closed
- NO - 2 Pos • 3 way • Normally Open

K = Knob Option

PS40 Pressure Switch

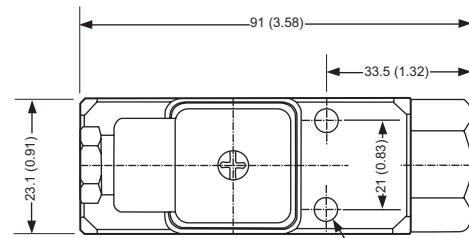
Features

- Pneumatic Input - Electric or Pneumatic Output



6mm allen socket adjustment
CW=increasing

Units: mm/ (Inch)



(2) .21" Dia. Holes

Ordering Information

D03-PSA - 2K

Code	Size
3	D03
5	D05

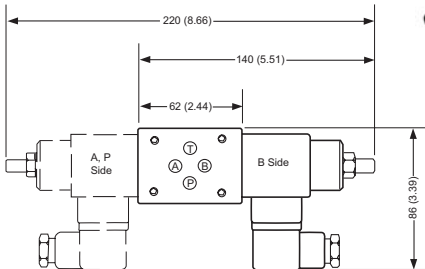
Code	Sensing Port
A	A Port
B	B Port
P	P Port
AB	Both A & B Port

Code	Pressure Range
.5K	90-500 psi
1K	90-1000 psi
2K	200-2000 psi
3.6K	500-3600 psi



D03 Pressure Switch

D03



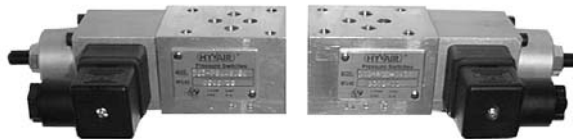
220 (8.66)

140 (5.51)

62 (2.44)

D03-PSA
D03-PSP

D03-PSB

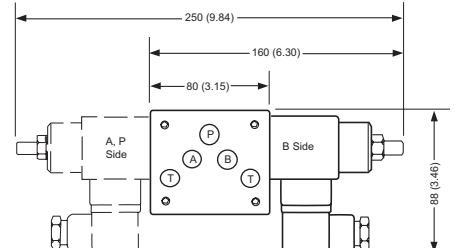


D03-PSAB



Units: mm/ (Inch)

D05



250 (9.84)

160 (6.30)

80 (3.15)

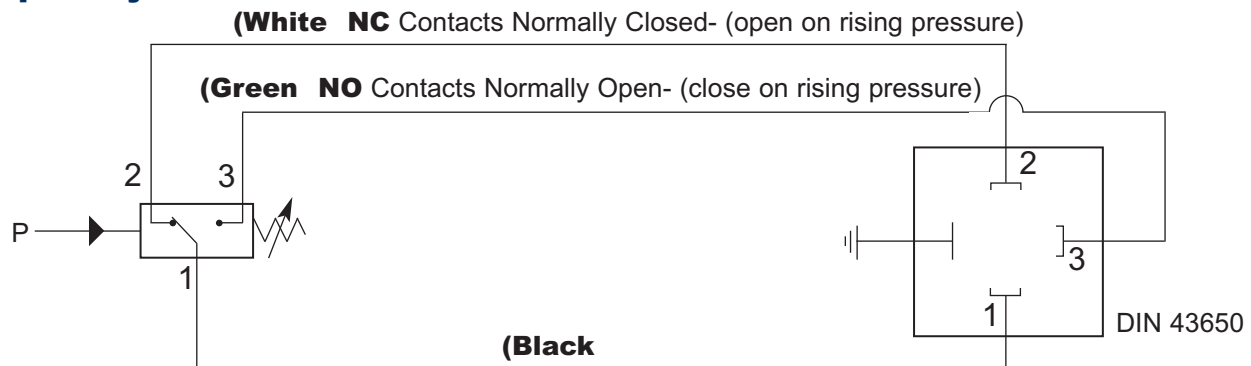


88 (3.46)

55 (2.17)



Graphic Symbol



Specifications

Fluid:
Hydraulic, lubricating and light oils

Construction:
Piston actuated

Adjustment Range:
90 - 5200 psi (6 - 350 bar)

Ambient Temperature:
(130° to 175° F (-25° to 80° C))

Maximum Viscosity:
450 SSU (1000 mm²/s)

Maximum Switching Rate:
20 cycles/ min

Repeatability:
± 3%

Electrical Connection:
DIN 43650 Table A

Mounting:
Arbitrary

Switching Element:
Microswitch

Switch Ratings:

	Resistive	Inductive
14 VDC	3A	1.5A
30VDC	2A	1A
120VAC	3A	1A
240VAC	3A	0.5A

Hysteresis Diagrams (PSI)

