

# MANUAL VALVES

100 THRU 800 SERIES- MANUAL VALVES



1/8" thru 1/2" Ports

## Specifications

- Media:** Air (No other gases or liquids)
- Operation:** Manual - Direct
- Operation Temp. Range:** RV Series: 14 - 175°F (-10 - 80°C)  
All Others: 41 - 140°F (5 - 60°C)
- Maximum Pressure:** 150 psig (10.3 bar)
- Working Pressure:** 0 - 135 psig (0 - 9.3 bar)
- Flows:**

100 Series (1/8")	Cv=0.14
200 Series (1/4")	Cv=0.80 (1/8" Exhaust Ports)
FV-404 (1/4")	Cv=1.0
LV-204 (1/4")	Cv=1.0 (1/8" Exhaust Ports)
LV-404 (1/4")	Cv=1.9
RV-804 (1/4")	Cv=2.5
RV-806 (3/8")	Cv=2.7
RV-808 (1/2")	Cv=3.0
- Lubrication:** None Required



LV-406-543D-BK

LV-408-543DB-BK

LV Lever Valves 1/4", 3/8", 1/2"



RV-606-443DB

RV-404-443DB

RV Rotary Valves 1/4", 3/8", 1/2"



FV-404-542S-G

FV Foot Valves 1/4"



PP-204-542D  
PP-606-332D

PP Push Pull Valves 1/4", 3/8"



100 Series 1/8"

CV Cam Valve  
CV-102-232NC



PBF Push Button  
PBE-102-232NC  
PBF-102-232NC

TS-102-232D (not shown)  
ES-102-232D (not shown)



TV Toggle Valve  
TV-102-232D



200 Series 1/4"

TS Twist Select  
TS-204-542D



ES E-Stop  
ES-204-542D

PBE-204-542S (not shown)  
PBF-204-542S (not shown)



# MANUAL VALVES

100 THRU 800 SERIES- MANUAL VALVES



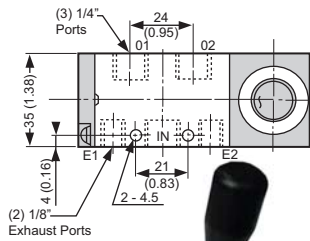
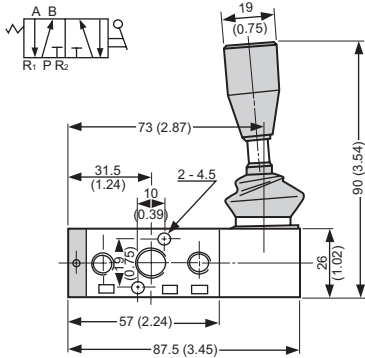
1/8" thru 1/2" Ports

Units: mm/ (Inch)

## Dimensional Data

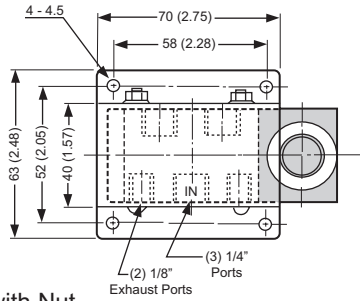
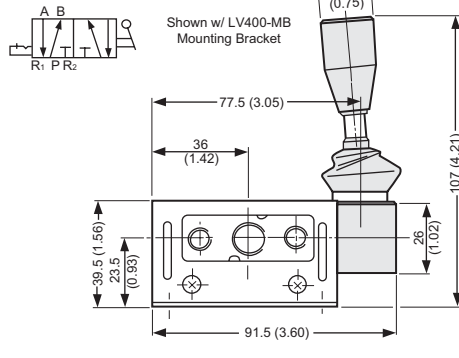
### LEVER VALVE 1/4", 3/8"

#### LV-204-542S

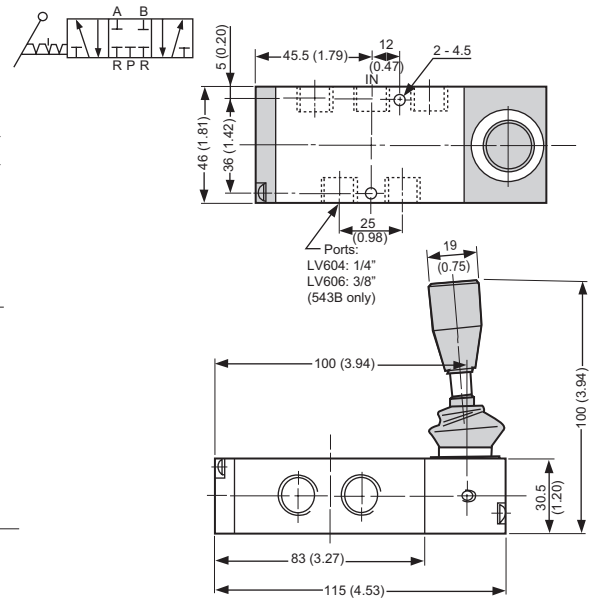


Supplied with Nut  
(Mounting Hole= 0.88" Dia. x  
0.18" max. thickness)

#### LV-204-542D

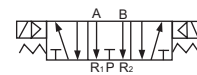


#### LV-404-543DB

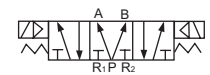


Use same dimensions for:

#### 543F

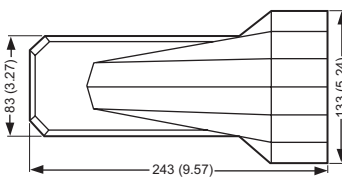
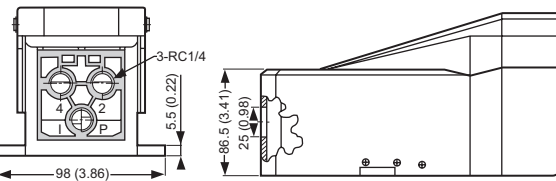
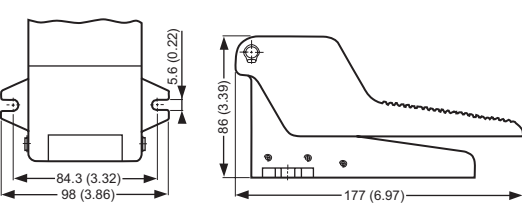


#### 543T

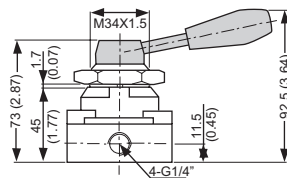


### FOOT VALVE 1/4" AND ROTARY VALVE 1/4", 3/8", 1/2"

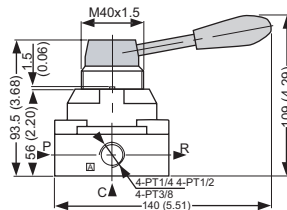
#### FV-404-542S



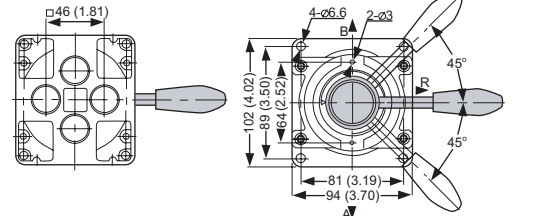
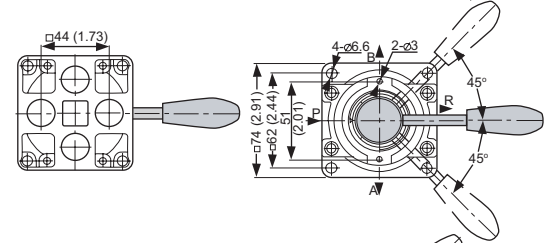
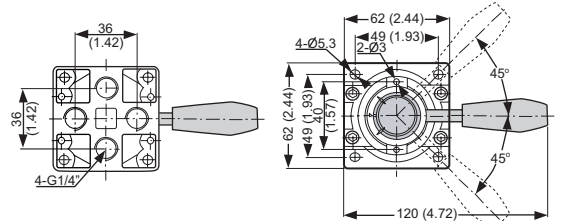
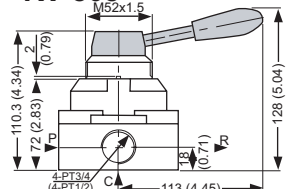
#### RV-404



#### RV-606



#### RV-808



# MANUAL VALVES

## 100 THRU 800 SERIES- MANUAL VALVES

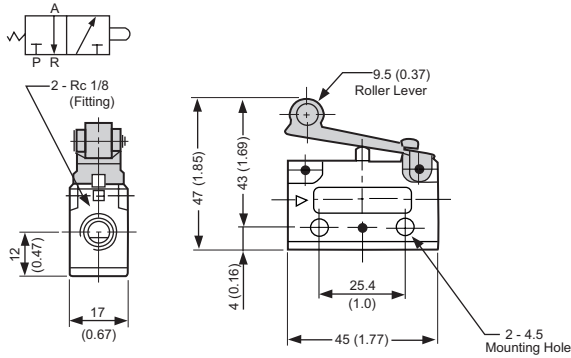


1/8" thru 1/2" Ports

Units: mm/ (Inch)

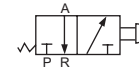
### Dimensional Data

#### CV-102-232NC

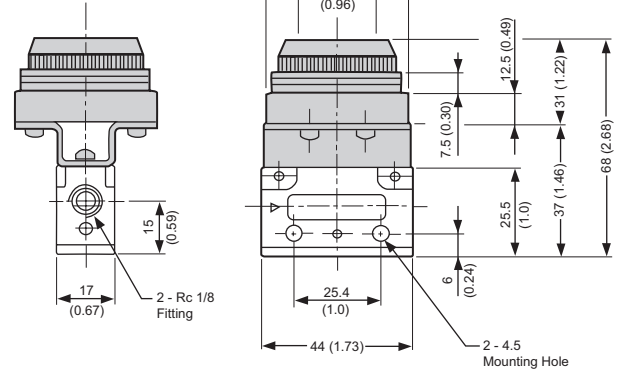


#### PBF-102-232NC PBE-102-232NC

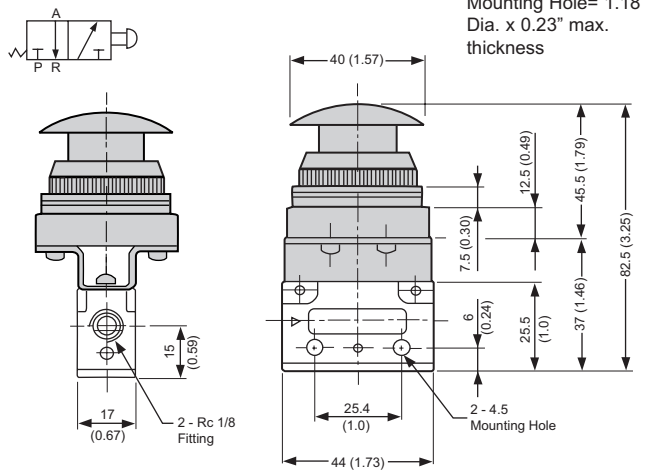
(add 6.5 mm button height for PBE)



Mounting Hole= 1.18" Dia. x 0.23" max. thickness



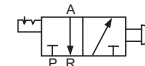
#### PBM-102-232NC-BK



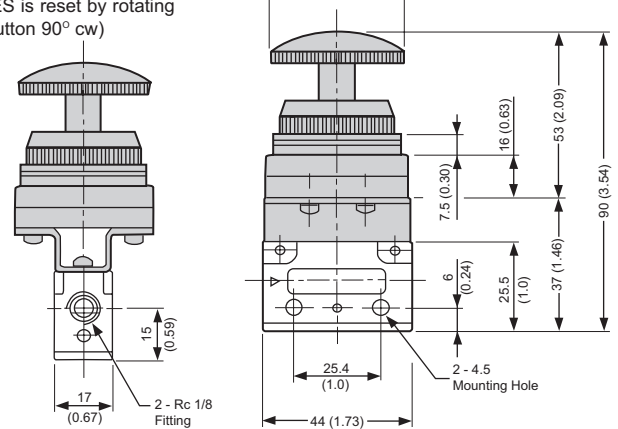
Mounting Hole= 1.18" Dia. x 0.23" max. thickness

#### ES-102-232D

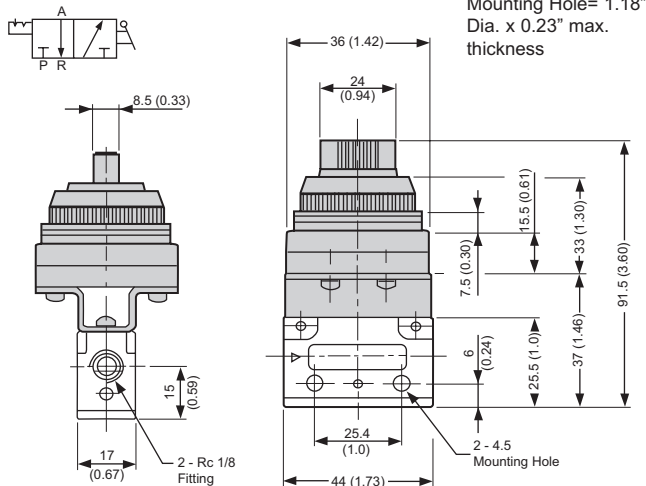
(ES is reset by rotating button 90° cw)



Mounting Hole= 1.18" Dia. x 0.23" max. thickness

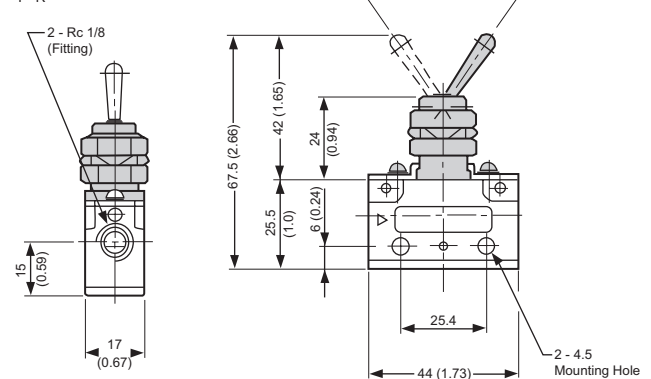
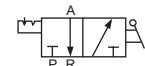


#### TS-102-232D



Mounting Hole= 1.18" Dia. x 0.23" max. thickness

#### TV-102-232D



# MANUAL VALVES

100 THRU 800 SERIES- MANUAL VALVES



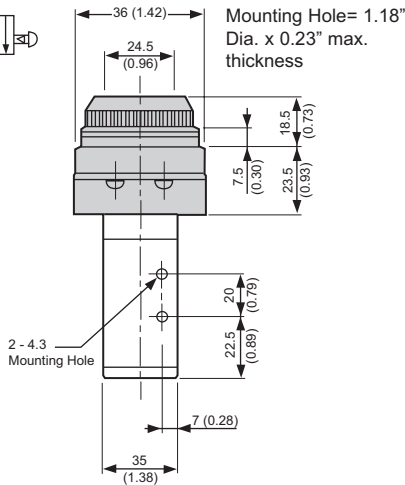
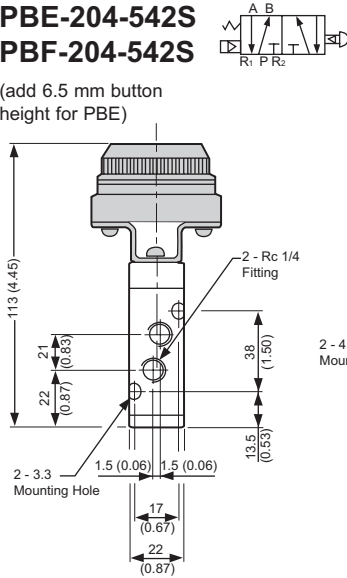
1/8" thru 1/2" Ports

Units: mm/ (Inch)

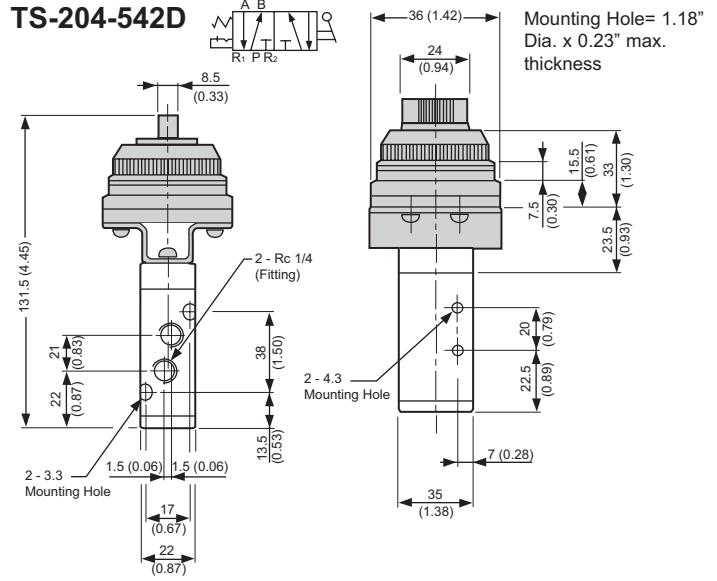
## Dimensional Data

**PBE-204-542S**  
**PBF-204-542S**

(add 6.5 mm button height for PBE)

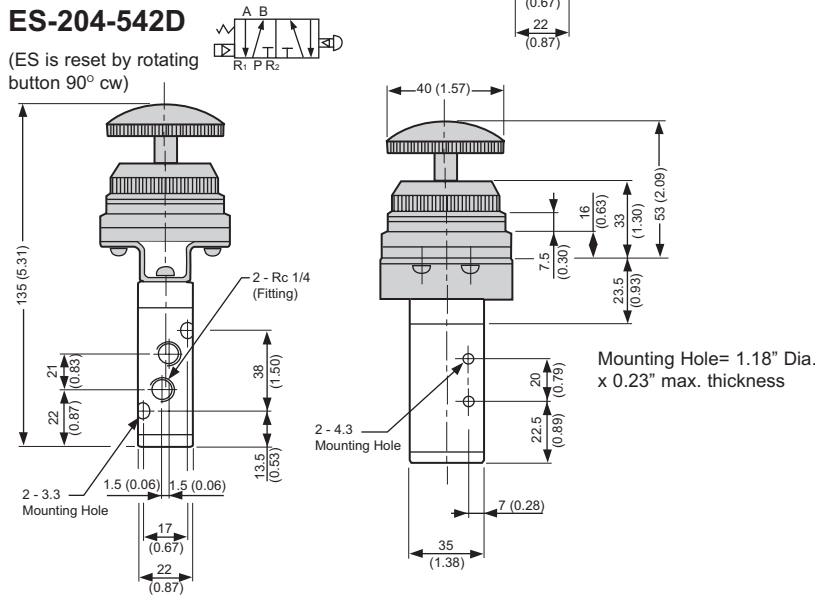


**TS-204-542D**



**ES-204-542D**

(ES is reset by rotating button 90° cw)



## Ordering Information

**TS - 204 - 542S - RD**

Code	Operator
CV	Cam Valve
ES	Emergency Stop
FV	Foot Valve
LV	Lever Valve
PBE	Push Button Extended
PBF	Push Button Flush
PP	Push Pull Valve
RV	Rotary Valve
TS	Twist Select
TV	Toggle Valve

Size	Description
102	1/8" Ports
202	1/8" Ports
204	1/4" Ports (1/8" Exhaust)
404	1/4" Ports
606	3/8" Ports
804	1/4" Ports
806	3/8" Ports
808	1/2" Ports

Code	Configurations
232NC	2 port, 3 way, 2 pos., normally closed
232NO	2 port, 3 way, 2 pos., normally open
232D	2 port, 3 way, 2 pos., detented
332D	3 port, 3 way, 2 pos., detented
443DB	4 port, 4 way, 3 pos., detented, blocked
542S	5 port, 4 way, 2 pos., spring return
542D	5 port, 4 way, 2 pos., detented
543DB	5 port, 4 way, 3 pos., detented, blocked

Code	Knob Color
omit	N/A
BK	Black- Standard
GR	Green
RD	Red

Spring centered valves available- special order only. (Minimum qty's apply)

