

PILOT OPERATED RELIEF VALVES

POR20 SERIES- PILOT OPERATED RELIEF VALVES



POR20-20FP-3K

POR20-12FP-1K

Pilot Operated Relief Valves



Solenoid Controlled Pilot Operated Relief Valves

3/4" & 1-1/4"

Specifications

- 3/4" & 1-1/4" NPT ports (#12 SAE available in T type)
- Maximum Flow:** 3/4" = 50 gpm, 1-1/4" = 100 gpm
- Minimum Flow:** 3/4" = 2.0 gpm, 1-1/4" = 4 gpm
- 3K pressure standard (1000-3500 psi)
- 1K pressure range available (350-1000 psi)
- Recommended for petroleum based fluids- ISO VG32-68
- Recommended filtration- 10 micron
- Cold starts: 250 SUS maximum viscosity
- Maximum Temperature:** 180°F, (82.2°C) or minimum fluid viscosity of 80 SUS
- All models can be vented for remote control. Specify suffix "D03" for integral solenoid control of relief valve.

Vent Circuits

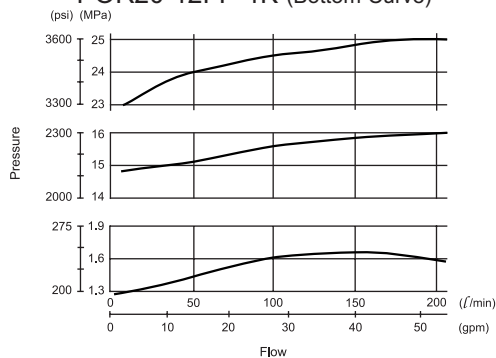
All POR20 relief valves may be vented to obtain remote pressure control (use direct acting remote relief see DR2 series pg. 50). Use small diameter line when plumbing the remote relief as short in length as possible to prevent chattering.

Below are common circuits used with the option D03 solenoid operated relief valves. Many other circuits are possible.

The valves to complete the circuits are sold separately from the relief valves.

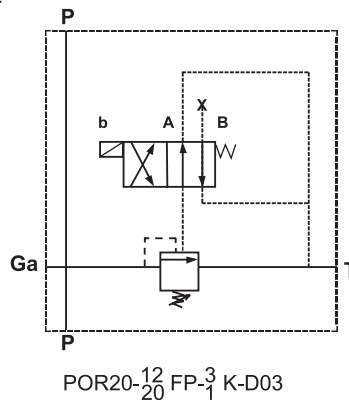
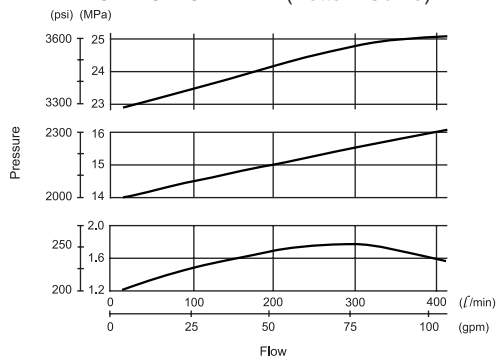
3/4" POR20-12FP-3K

POR20-12FP-1K (Bottom Curve)



1-1/4" POR20-20FP-3K

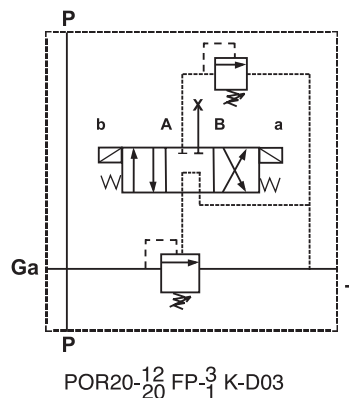
POR20-20FP-1K (Bottom Curve)



Normally Vented- Energize for Pressure

Also shown:
D03S-1A-115A-35 Solenoid Valve
When the "a" coil is energized, the main relief valve will rise to set point on the valve

Use D03S-1AR-115A-35 for energize to vent
(above p/n's for 115 VAC)



Normally Vented- Two Pressure, Energize for Pressure

Also shown:
D03S-2C-115A-35 Solenoid Valve
D03-POR1-AT-TK A to T Relief Valve
BD03-H1 Bolt Kit

When the "a" coil is energized, the main relief valve will rise to set point (must be lower than main relief setting) on the modular relief valve D03-POR1-AT-TK.

When the "b" coil is energized, the main relief valve will rise to set point on the valve.



PILOT OPERATED RELIEF VALVES

POR20 SERIES- PILOT OPERATED RELIEF VALVES

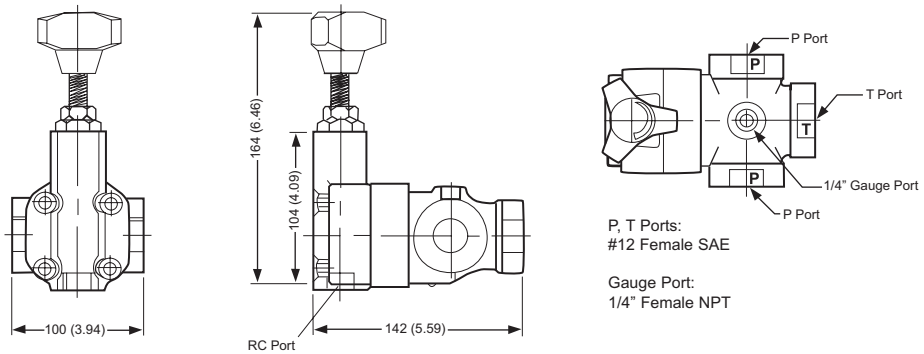


3/4" & 1-1/4"

Dimensional Data

POR20-12FS-3K (T style)
#12 SAE Relief Valve

Units: mm/ (Inch)



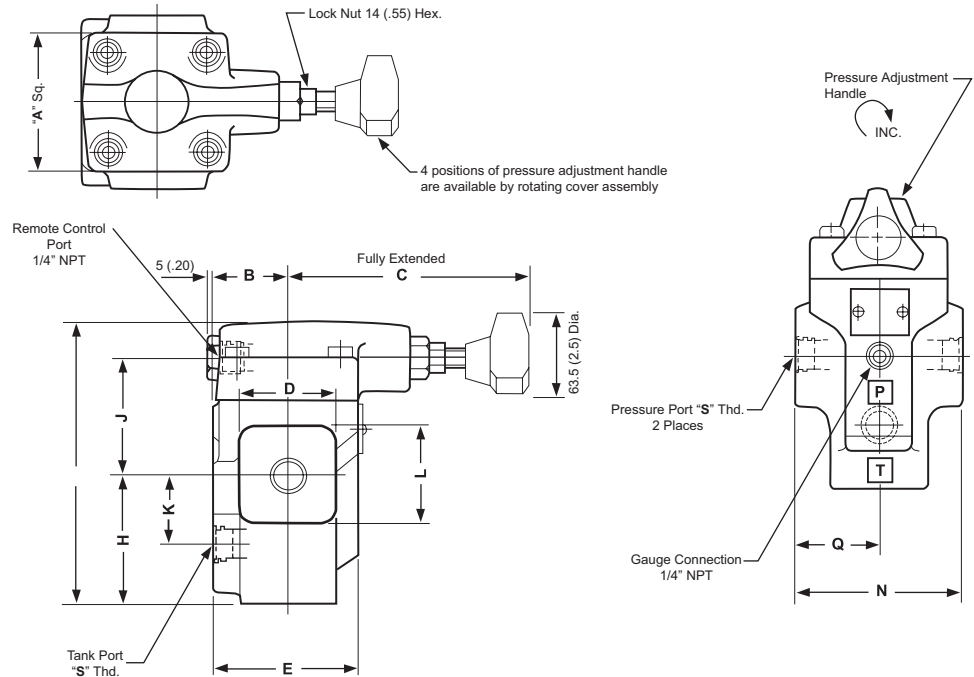
P, T Ports:
#12 Female SAE

Gauge Port:
1/4" Female NPT

POR20-12FP 3/4" NPT

POR20-20FP 1-1/4" NPT
(Below)

Units: mm/ (Inch)



Model	A	B	C	D	E	F	H	J	K	L	N	Q	S
POR20-12FP	80 (3.15)	48 (1.91)	129 (5.08)	58.5 (2.3)	88 (3.46)	154 (6.04)	68 (2.68)	66.5(2.62)	39.4(1.55)	72.5(2.85)	90 (3.54)	45 (1.77)	3/4" NPT
POR20-20FP	86 (3.39)	48 (1.91)	186 (7.32)	82 (3.23)	98 (3.86)	185 (7.28)	89.5(3.52)	77.5(3.05)	51 (2.0)	86 (3.86)	126 (4.96)	63 (2.48)	1-1/4" NPT

Ordering Information

POR20 - 12 - FP - 3K

Code	Style	Code	Size	Code	Connection	Code	Function
POR20	Pilot Operated Relief Valves	12	3/4"	FP	Female Pipe	1K	Adj. 350-1000 psi
		20	1-1/4"			3K	Adj. 1000-3500 psi (standard)

