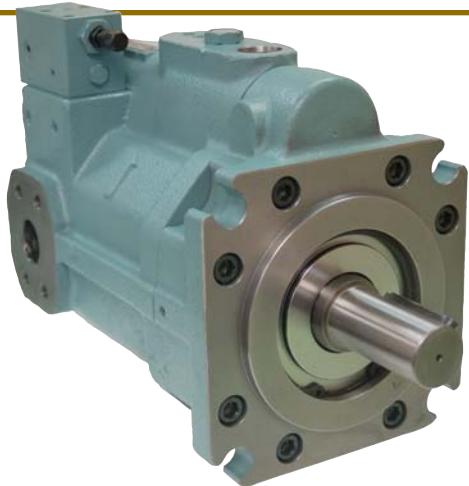


PISTON PUMPS

SERIES PCP47



ISO D, 4-Bolt



Series PCP47 Piston Pumps

Specifications

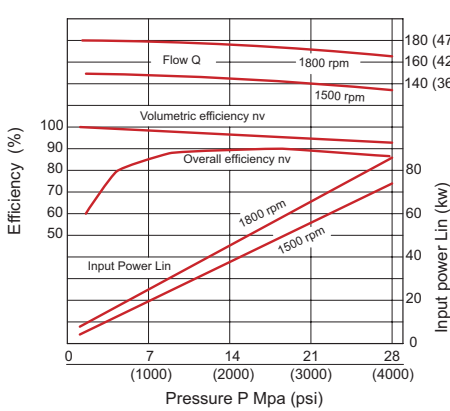
PCP47 1800 RPM, 47.5 GPM (at no load), 3000 PSI Max

Model	Pressure Range (psi)	Displacement per rev.	Flow @ 1800 RPM	Weight
PCP47-5K-4DK-2	143-500	6.10 cu-in	47.5 gpm	128.0 lbs
PCP47-1K-4DK-2	286-1000			
PCP47-2K-4DK-2	500-2000	100.0 cc	(179.8 lpm)	58.0 kgs
PCP47-3K-4DK-2	500-3000			

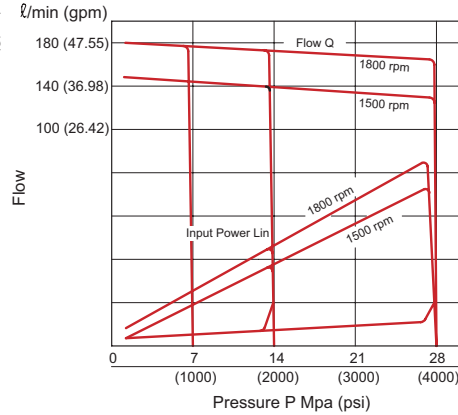
Performance Data

Typical performance curves based on ISO VG32 Oil @120°F, (49°C)

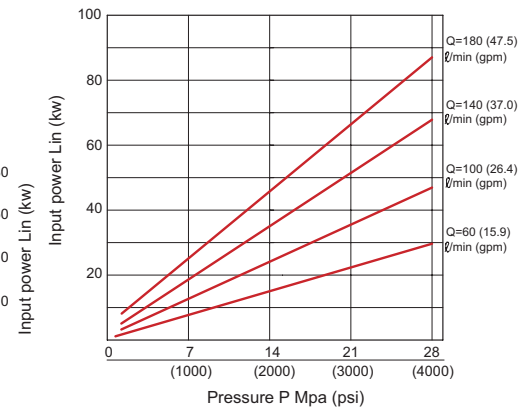
Efficiency Curves



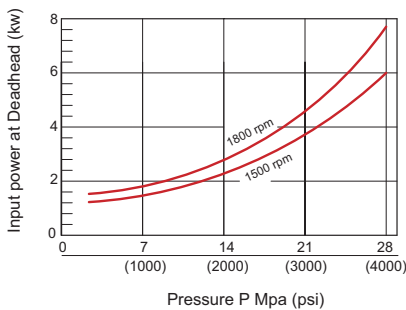
Pressure vs Flow



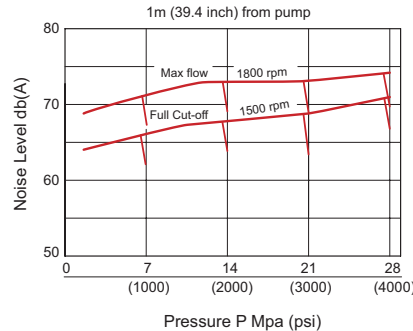
Power Input



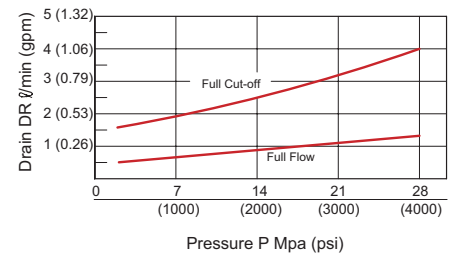
Deadhead Power



Noise Level



Drain Curve



PISTON PUMPS

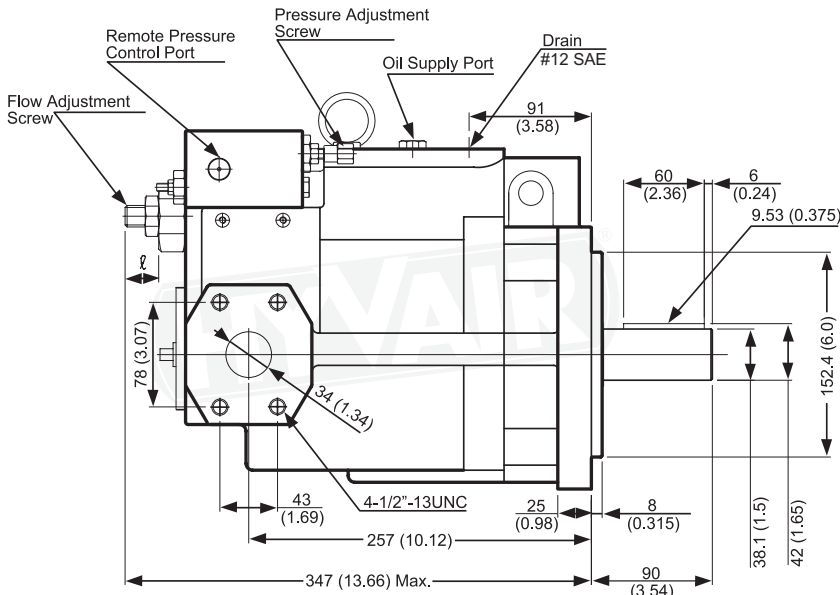
SERIES PCP47



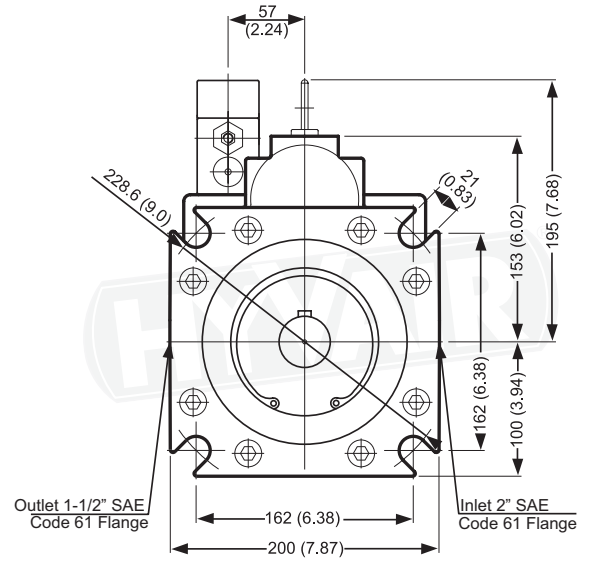
ISO D, 4-Bolt

Dimensional Data

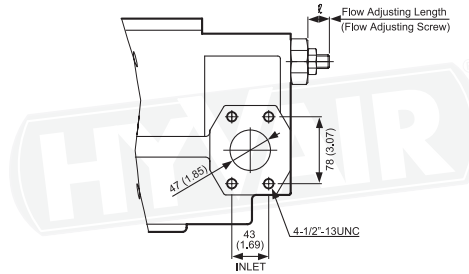
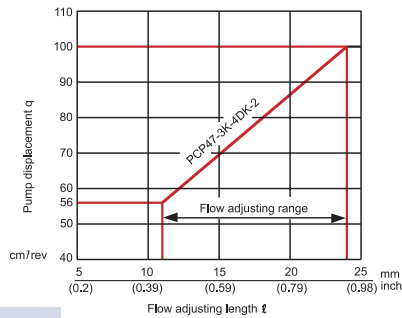
PCP47-3K-4DK-2



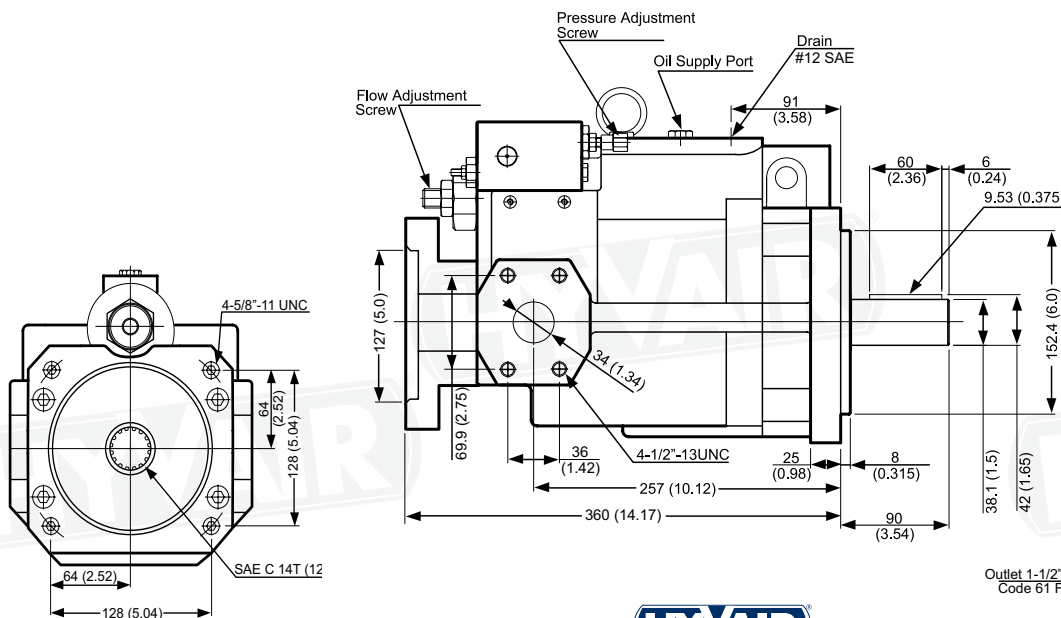
Units: mm (Inch)
Weight: 128.0 lbs/ 58.0 kgs



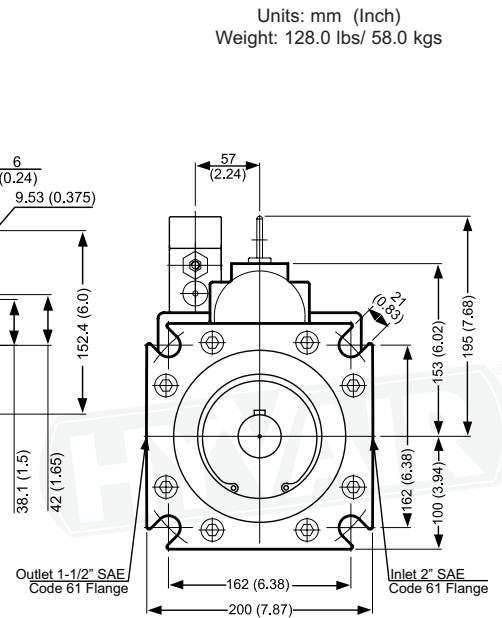
The relation between flow adjusting length (l) and pump displacement (q)



PCP47-3K-4DK-4CS-2



Units: mm (Inch)
Weight: 128.0 lbs/ 58.0 kgs



PISTON PUMPS

SERIES PCP47

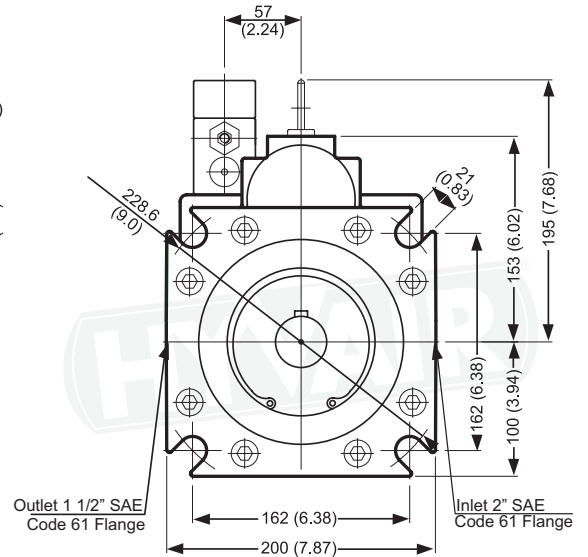
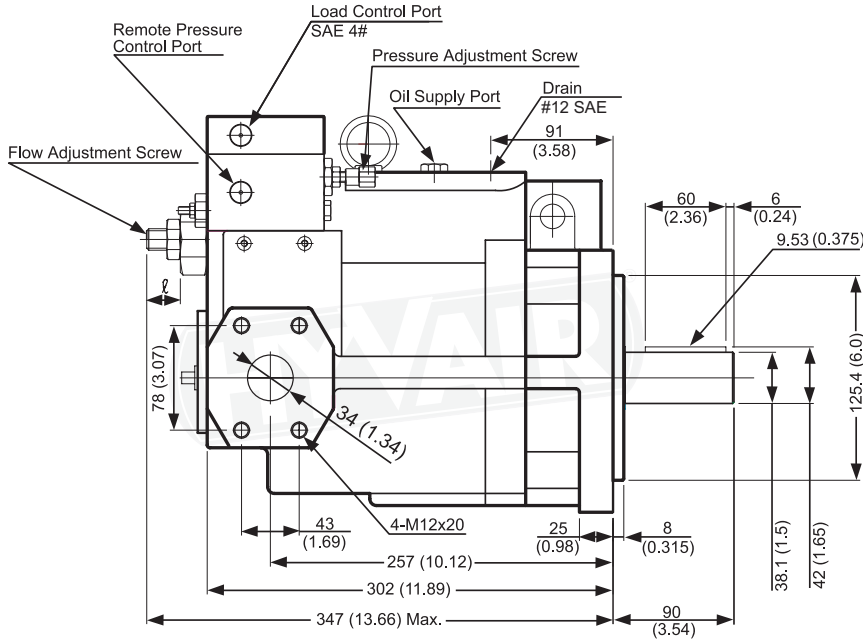


ISO D, 4-Bolt

Dimensional Data

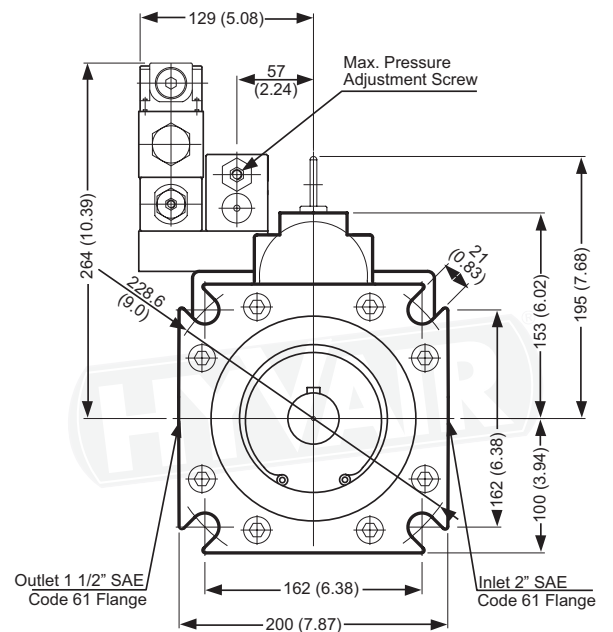
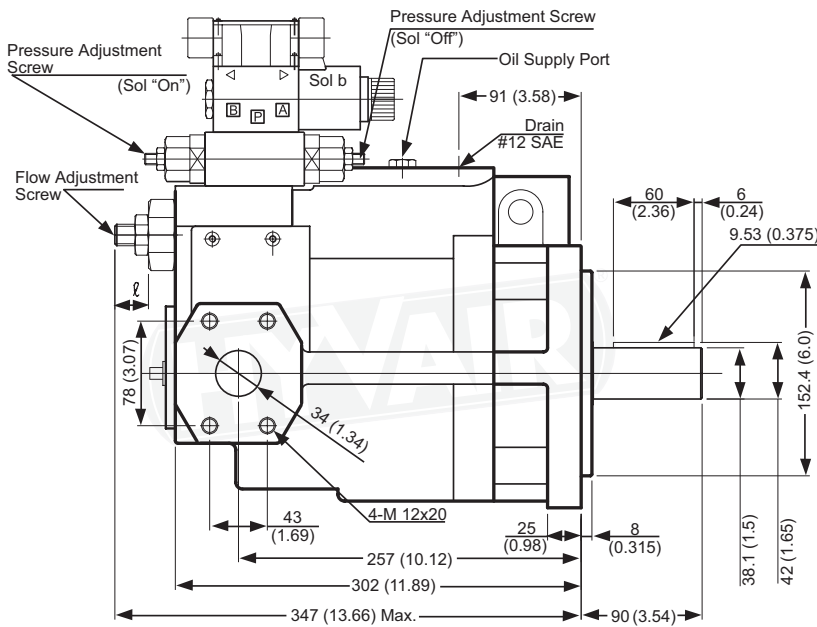
PCP47-3K-4DK-2-LS

Units: mm (Inch)
Weight: 129.8 lbs/ 58.9 kgs



PCP47-3K-4DK-2-2PSO

Units: mm (Inch)
Weight: 142.6 lbs/ 64.7 kgs



PISTON PUMPS

SERIES PCP47

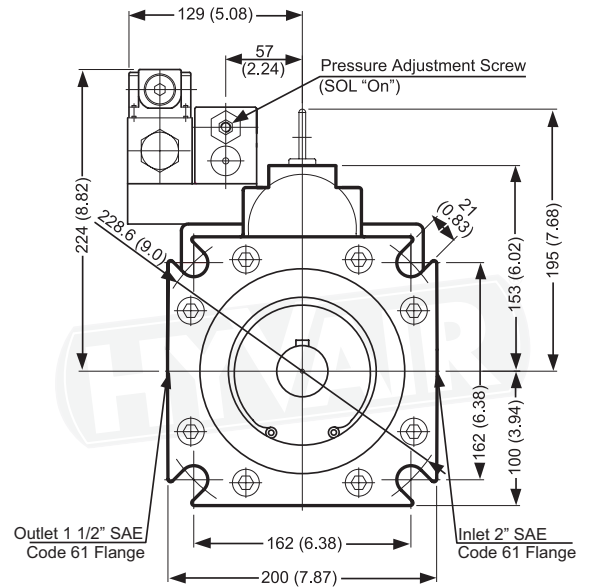
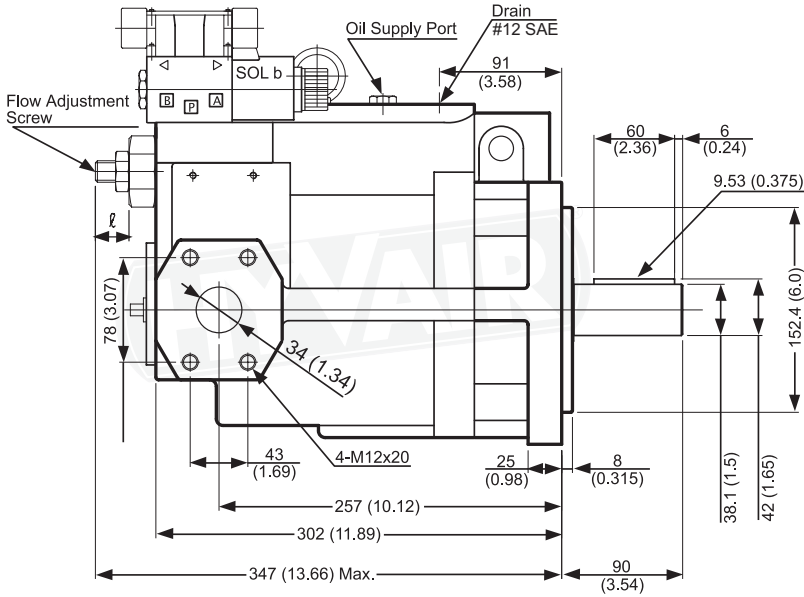


ISO D, 4-Bolt

Dimensional Data

PCP47-3K-4DK-2-SO

Units: mm (Inch)
Weight: 139.25 lbs/ 63.1 kgs



Ordering Information

PCP47 - 3K - 4DK 2 - 2PSO

Note: Available right hand rotation (only)- viewed facing pump shaft

Size (GPM)	Code	Pressure Range	Code	Drive Shaft
47	.5K	143-500 PSI	4DK	4-Bolt ISO D,
	1K	286-1000 PSI		1 1/2" Dia. Keyed Shaft
	2K	500-2000 PSI		x 3.25" Long w/ 3/8"
	3K	500-3000 PSI		Key, w/ Flow Adj.

Series 2 Porting
Inlet- 2" SAE Code 61 Flange
Outlet- 1 1/2" SAE Code 61 Flange
Case Drain- #12 Female SAE

Code	Control Type
omit	Standard
LS	Load Sensing
2PSO	Dual Pressure Solenoid
SO	Single Pressure Solenoid

