

# MINIATURE MANIFOLDS

D03 SERIES- NFPA/ ISO STANDARDS - PARALLEL CIRCUIT

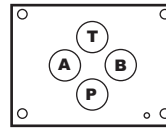


NFPA SIZE: D03

## Specifications



D03 Series- Miniature Manifold

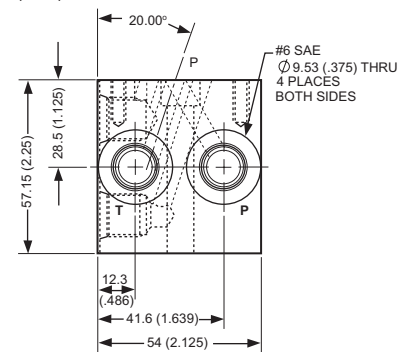
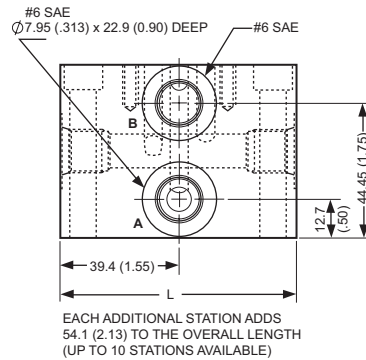
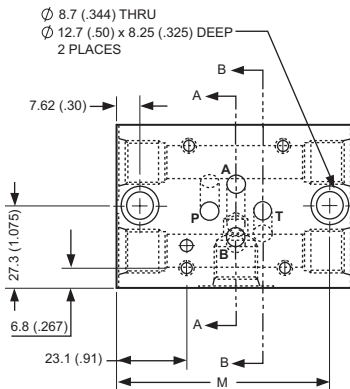


Mounting Surface:  
General Pattern

Model Number	MD03M-TS-6AB-6PT	
Mounting Surface	NFPA	T3.5.1.MR1-F1984-03
	ISO	ISO 4401-03
Nominal Flow Rates	5 gpm (19 lpm)	
Material	Nickel Plated Steel	
Maximum Pressure	3000 psi (210 bar)	
Recommended Fluids	Petroleum Based Fluids- ISO VG32-68, Phosphate Ester, Most Vegetable Oils, Water Based Fluids to 40% Water	

## Dimensional Data

Units: mm/ (Inch)



EACH ADDITIONAL STATION ADDS 54.1 (2.13) TO THE OVERALL LENGTH (UP TO 10 STATIONS AVAILABLE)

Model	No. of Stations	L	M	A & B Ports	P & T Ports
MD03M-1S-6AB-6PT	1	78.0 (3.07)	70.4 (2.77)	#6 SAE, (9/16-18)	#6 SAE, (9/16-18)
MD03M-2S-6AB-6PT	2	132.1 (5.20)	124.5 (4.90)		
MD03M-3S-6AB-6PT	3	186.2 (7.33)	178.6 (7.03)		
MD03M-4S-6AB-6PT	4	240.3 (9.46)	232.7 (9.16)		
MD03M-5S-6AB-6PT	5	294.4 (11.59)	286.8 (11.29)		
MD03M-6S-6AB-6PT	6	348.5 (13.72)	340.9 (13.42)		
MD03M-7S-6AB-6PT	7	402.6 (15.85)	395.0 (15.55)		
MD03M-8S-6AB-6PT	8	456.7 (17.98)	449.1 (17.68)		
MD03M-9S-6AB-6PT	9	510.8 (20.11)	503.2 (19.81)		
MD03M-10S-6AB-6PT	10	564.9 (22.24)	557.3 (21.94)		

## Ordering Information

**MD03M - 1 S - 6AB - 6PT**

