

LEVER VALVES

HV20 SERIES- LEVER ACTUATED VALVES



1/2"

HV20 Series Lever Actuated Valve

HV20-2C-8FS



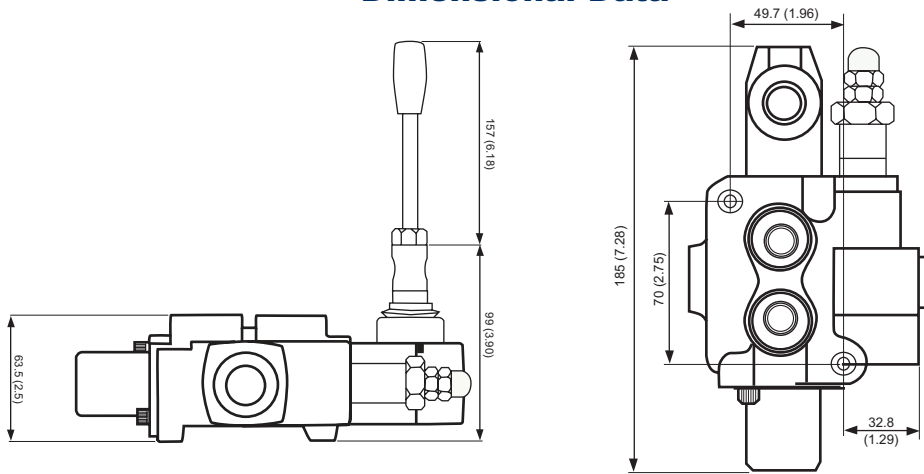
Features

1. 1/2" single spool monoblock valve
2. Spools are hard chrome plated.

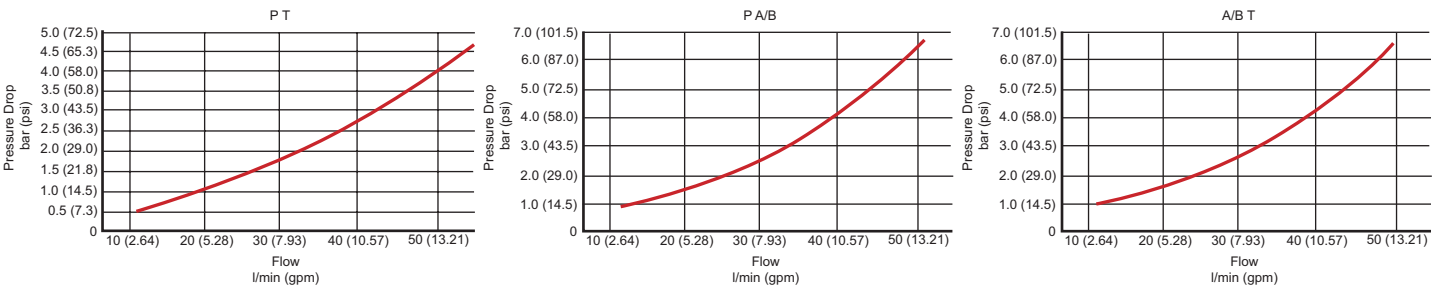
Specifications

1. **Nominal Flow:** 9.25 gpm (35 lpm)
2. **Max. Operating Pressure:** 3625 psi (250 Bar)
3. **Recommended Filtration:** Max. 30 micron
4. **Weight:** 4.6 lbs (2.1 kg)

Dimensional Data



Pressure Drop Curves



Ordering Information

HV20 - 2 C - 8FS

Code	Actuator	Code	Configuration	Code	Function	Code	Connection
HV20	Manual (Lever) Valve	2	3 position, spring centered	A	P to A, B to T	8FS	1/2" Female SAE
				B	All Ports Blocked		
				C	P to T, A & B Blocked		
				F	P Blocked, A & B to T		
				H	All Ports Open		
				T	P to A & B, T Blocked		



LEVER VALVES

HV18 SERIES- LEVER ACTUATED VALVES



3/4"



HV18-4-2C

Features

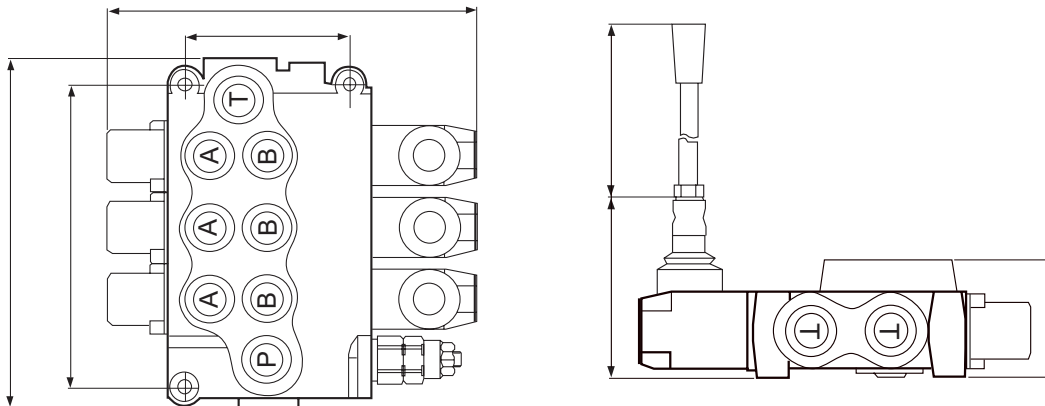
1. 3/4" 1 to 4 spool monoblock valve
2. Spools are hard chrome plated.

Specifications

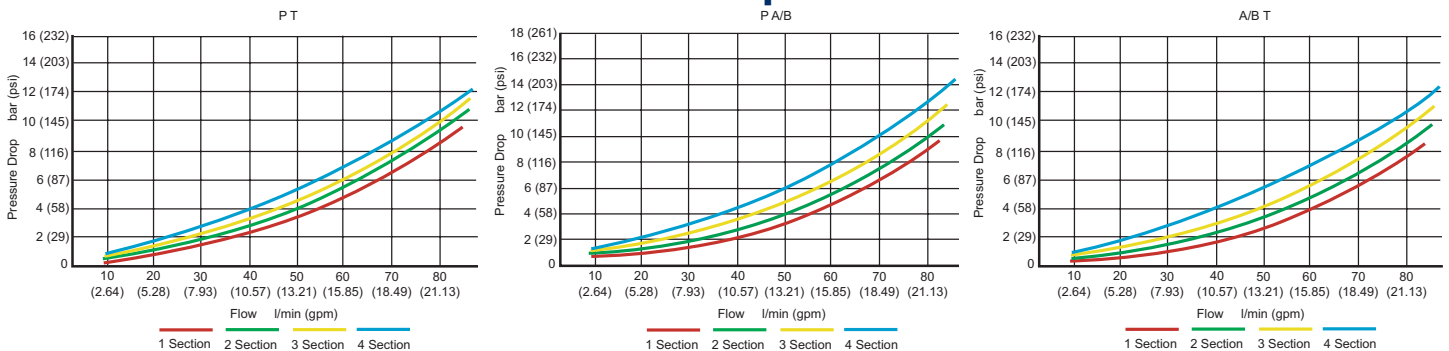
1. **Nominal Flow:** 18.5 gpm (70 lpm)
2. **Max. Operating Pressure:** 5075 psi (350 Bar)
3. **Recommended Filtration:** Max. 30 micron

HV18 Series Lever Actuated Valve

Dimensional Data



Pressure Drop Curves



Ordering Information

HV18 - 4 - 2 C

Code	Actuator	Code	Sections	Code	Configuration	Code	Function
HV18	Manual (Lever) Valve	1	1 Section	2	3 position, spring centered	A	P to A, B to T
		2	2 Sections			B	All Ports Blocked
		3	3 Sections			C	P to T, A & B Blocked
		4	4 Sections			F	P Blocked, A & B to T
						H	All Ports Open
						T	P to A & B, T Blocked

