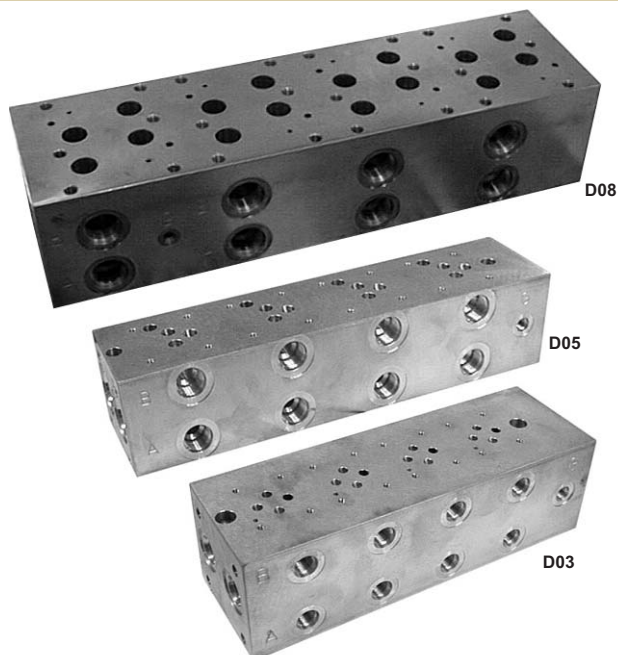


MANIFOLDS

D03, D05 & D08 SERIES- HYVAIR STANDARD - PARALLEL CIRCUIT



NFPA SIZE: D03, D05 & D08



NFPA 4 Station Manifolds

Features

- Intelligent Design:** Manifolds share same end mounting dimensions allowing manifolds to be joined together.
- Space Savings:** Manifold mounted circuits greatly reduce space requirements from in line mounted valves.
- Multiple Port Sizes:** Eliminates adapter fittings.



NFPA 1 Station Manifolds with Relief

Specifications

Size	D03	D05		D08
Mounting Surfaces: General Patterns		D05- Std. 	D05H- High Flow 	
	Model Number	Std. A&B Ports MD03-*S-6AB-8PT Big A&B Ports MD03-*S-8AB-10PT	MD05-*S-8AB-12PT MD05-*S-10AB-12PT	MD05-*S-10AB-12PT* MD05H-*S-16AB-20PT
Mounting Surface	NFPA T3.5.1.MR1-F1984-03	T3.5.1.MR1-F1984-D05	T3.5.1.MR1-D05	T3.5.1.MR1-D08
	ISO ISO 4401-03	ISO 4401-05	ISO 4401-05	ISO 4401-08
Nominal Flow Rates	5 gpm (19 lpm)	12 gpm (45 lpm)	25 gpm (95 lpm)	50 gpm (190 lpm)
Material	Aluminum or Steel		Aluminum MD05 Steel MD05H	Steel
Maximum Pressure	Aluminum 3000 psi (210 bar) Steel 5000 psi (350 bar)			
Recommended Fluids	Petroleum Based Fluids- ISO VG32-68, Phosphate Ester, Most Vegetable Oils, Water Based Fluids to 40% Water			

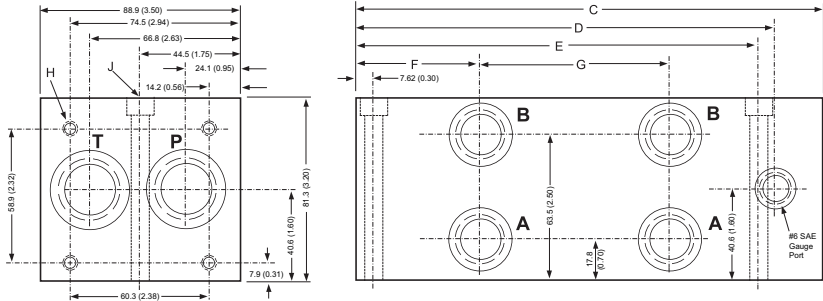
*Accomplished by using standard D05 manifold with modification and using high flow tank circuit block for B to T port.



Dimensional Data

Units: mm/ (Inch)

MD03 & MD05 Manifold

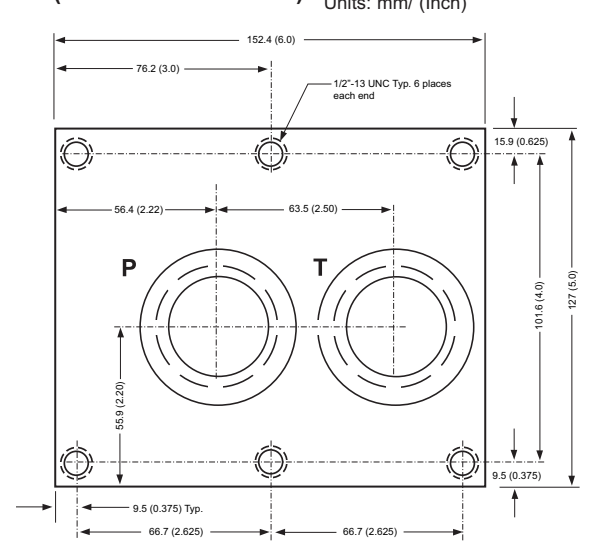
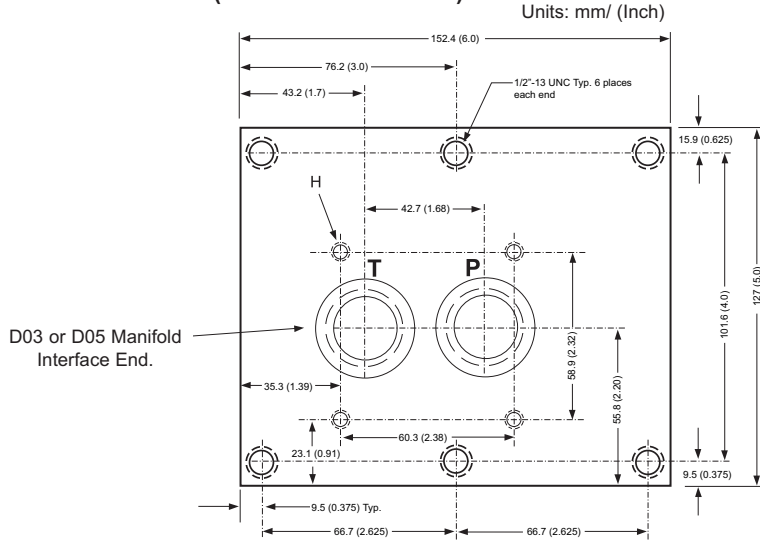


	Model	No. of Stations	A & B Ports	P & T Ports	C	D	E	F	G	H	J
D03 HIGH-FLOW	MD03-1S-6AB-8PT	1			105 (4.14)	85 (3.34)	64 (2.50)				
	MD03-2S-6AB-8PT	2			160 (6.27)	139 (5.47)	118 (4.63)				Accepts 5/16- 18 SHCS X 3.25" Min. Length
	MD03-3S-6AB-8PT	3			213 (8.40)	193 (7.60)	172 (6.76)				
	MD03-4S-6AB-8PT	4	#6 SAE, (9/16-18)	#8SAE (3/4-16)	267 (10.53)	248 (9.73)	226 (8.89)	38.6 (1.52)	54.1 (2.13)	5/16-18 UNC	
	MD03-5S-6AB-8PT	5			322 (12.66)	301 (11.86)	280 (11.02)				
	MD03-6S-6AB-8PT	6			376 (14.79)	356 (14.00)	334 (13.15)				
	MD03-7S-6AB-8PT	7			430 (16.92)	409 (16.12)	388 (15.28)				
	MD03-8S-6AB-8PT	8			484 (19.05)	464 (18.25)	442 (17.41)				
	MD03-1S-8AB-10PT-C	1			112 (4.41)	85 (3.34)	72 (2.83)				
	MD03-1S-8AB-10PT	1			105 (4.14)	85 (3.34)	64 (2.50)				
	MD03-2S-8AB-10PT	2			160 (6.27)	139 (5.47)	118 (4.63)				Accepts 5/16- 18 SHCS X 3.25" Min. Length
	MD03-3S-8AB-10PT	3			213 (8.40)	193 (7.60)	172 (6.76)				
	MD03-4S-8AB-10PT	4	#8SAE (3/4-16)	#10 SAE (7/8-14)	267 (10.53)	248 (9.73)	226 (8.89)	38.6 (1.52)	54.1 (2.13)	5/16-18 UNC	
	MD03-5S-8AB-10PT	5			322 (12.66)	301 (11.86)	280 (11.02)				
	MD03-6S-8AB-10PT	6			376 (14.79)	356 (14.00)	334 (13.15)				
	MD03-7S-8AB-10PT	7			430 (16.92)	409 (16.12)	388 (15.28)				
	MD03-8S-8AB-10PT	8			484 (19.05)	464 (18.25)	442 (17.41)				
	MD03-1S-8AB-12PT-S	1			105 (4.14)	85 (3.34)	64 (2.50)				
	MD03-2S-8AB-12PT-S	2			160 (6.27)	139 (5.47)	118 (4.63)				Accepts 5/16- 18 SHCS X 3.25" Min. Length
	MD03-3S-8AB-12PT-S	3			213 (8.40)	193 (7.60)	172 (6.76)				
	MD03-4S-8AB-12PT-S	4	#8SAE (3/4-16)	#12 SAE (1-1/16-12)	267 (10.53)	248 (9.73)	226 (8.89)	38.6 (1.52)	54.1 (2.13)	5/16-18 UNC	
	MD03-5S-8AB-12PT-S	5			322 (12.66)	301 (11.86)	280 (11.02)				
	MD03-6S-8AB-12PT-S	6			376 (14.79)	356 (14.00)	334 (13.15)				
	MD03-7S-8AB-12PT-S	7			430 (16.92)	409 (16.12)	388 (15.28)				
MD03-8S-8AB-12PT-S	8			484 (19.05)	464 (18.25)	442 (17.41)					
MD05-1S-8AB-12PT	1			126 (4.95)	103 (4.05)	98 (3.85)					
MD05-2S-8AB-12PT	2			208 (8.20)	185 (7.30)	180 (7.10)				Accepts 5/16- 18 SHCS X 3.25" Min. Length	
MD05-3S-8AB-12PT	3			291 (11.45)	268 (10.55)	263 (10.35)					
MD05-4S-8AB-12PT	4	#8SAE (3/4-16)	#12 SAE (1-1/16-12)	373 (14.70)	351 (13.80)	345 (13.60)	54.6 (2.15)	82.6 (3.25)	5/16-18 UNC		
MD05-5S-8AB-12PT	5			456 (17.95)	433 (17.05)	428 (16.85)					
MD05-6S-8AB-12PT	6			538 (21.10)	516 (20.30)	511 (20.10)					
MD05-7S-8AB-12PT	7			621 (24.45)	598 (23.55)	593 (23.35)					
MD05-8S-8AB-12PT	8			704 (27.70)	681 (26.80)	676 (26.60)					
MD05-1S-10AB-12PT-C	1			150 (5.90)	103 (4.05)	91 (3.58)					
MD05-1S-10AB-12PT	1			126 (4.95)	103 (4.05)	98 (3.85)					
MD05-2S-10AB-12PT	2			208 (8.20)	185 (7.30)	180 (7.10)				Accepts 5/16- 18 SHCS X 3.25" Min. Length	
MD05-3S-10AB-12PT	3			291 (11.45)	268 (10.55)	263 (10.35)					
MD05-4S-10AB-12PT	4	#10 SAE (7/8-14)	#12 SAE (1-1/16-12)	373 (14.70)	351 (13.80)	345 (13.60)	54.6 (2.15)	82.6 (3.25)	5/16-18 UNC		
MD05-5S-10AB-12PT	5			456 (17.95)	433 (17.05)	428 (16.85)					
MD05-6S-10AB-12PT	6			538 (21.10)	516 (20.30)	511 (20.10)					
MD05-7S-10AB-12PT	7			621 (24.45)	598 (23.55)	593 (23.35)					
MD05-8S-10AB-12PT	8			704 (27.70)	681 (26.80)	676 (26.60)					
MD05-1S-10AB-12PT-S	1			126 (4.95)	103 (4.05)	98 (3.85)					
MD05-2S-10AB-12PT-S	2			208 (8.20)	185 (7.30)	180 (7.10)				Accepts 5/16- 18 SHCS X 3.25" Min. Length	
MD05-3S-10AB-12PT-S	3			291 (11.45)	268 (10.55)	263 (10.35)					
MD05-4S-10AB-12PT-S	4	#10 SAE (7/8-14)	#12 SAE (1-1/16-12)	373 (14.70)	351 (13.80)	345 (13.60)	54.6 (2.15)	82.6 (3.25)	5/16-18 UNC		
MD05-5S-10AB-12PT-S	5			456 (17.95)	433 (17.05)	428 (16.85)					
MD05-6S-10AB-12PT-S	6			538 (21.10)	516 (20.30)	511 (20.10)					

Dimensional Data

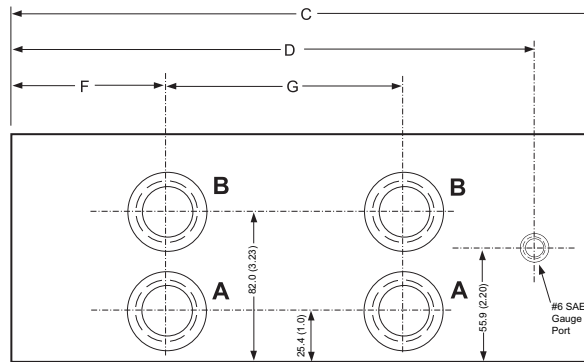
**MD08 Manifold
Left End View
(#12 SAE P & T Ports)**

**MD08 Manifold
Right End View
(#20 SAE P & T Ports)**



D03 or D05 Manifold Interface End.

Note: Use the D08 Dimensions for D05H manifolds where #16 SAE ports are required. (Only the valve mounting pattern changes)



**MD08
Manifold
Right End
(#20 SAE)**

Units: mm/ (Inch)

Model	No. of Stations	C	D	A & B Ports	P & T Ports	F	G	H
MD08-1S-16AB-20PT-S	1	160.0 (6.3)	115.6 (4.55)	#16 SAE, (1-5/6"-12)	Inlet Side #20 SAE, (1-5/8"-12) Outlet Side #12 SAE (1-1/16"-12)	55.9 (2.2)	133.4 (5.25)	5/16-18 UNC
MD08-2S-16AB-20PT-S	2	293.4 (11.55)	249 (9.80)					
MD08-3S-16AB-20PT-S	3	426.7 (16.8)	382.3 (15.05)					
MD08-4S-16AB-20PT-S	4	560.1 (22.05)	515.6 (20.3)					

Ordering Information

M D05 - 1 S - 10AB - 12PT - C

