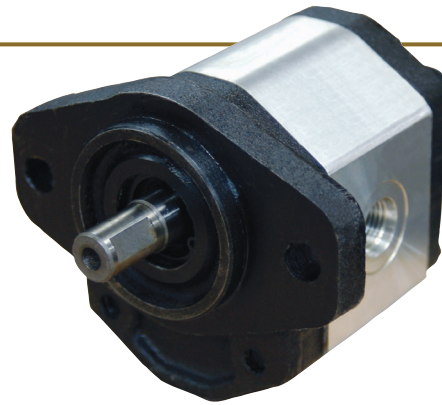


Features

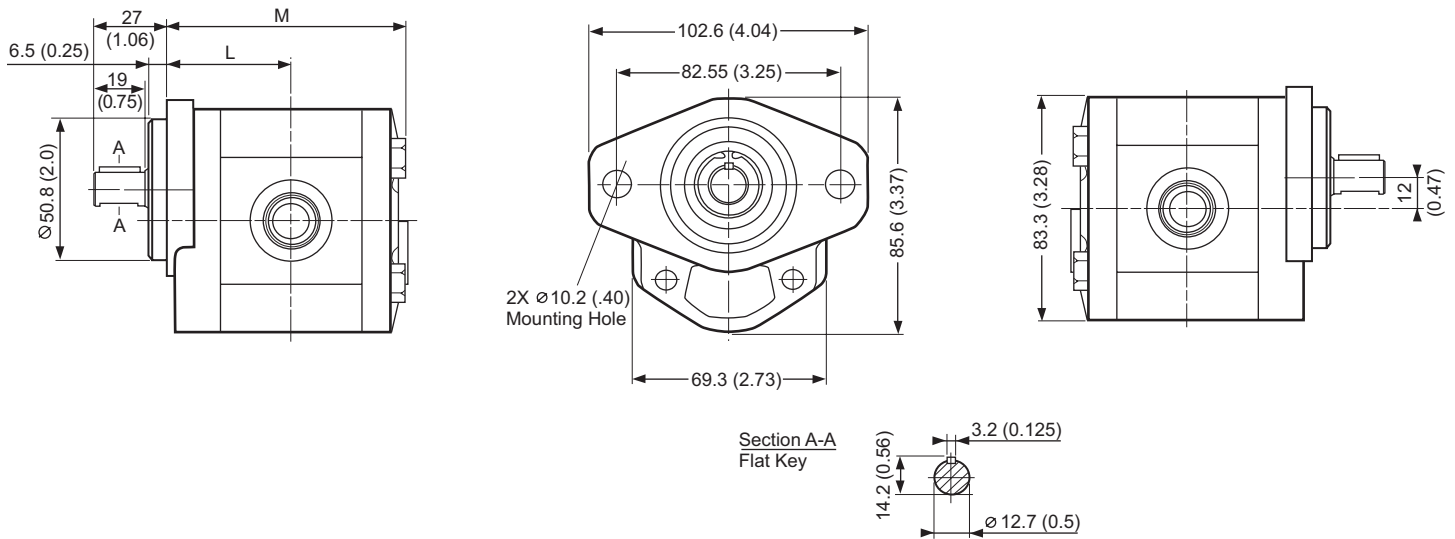
- Simple Compact Design
- High Mechanical and Volumetric Efficiency
- Low Noise Levels During Pump Operation
- Cast Iron Flange and Rear Cover
- Aluminum Alloy Body
- Hardened Steel Gears



G.9-2AAK-3

Dimensional Data

Units: mm (inches)



Model	Displacement		Pressure ^{psi} (mpa)		RPM		Dimensions ^{mm} (inch)		Port
	ml/r.	cu.in/r.	Continuous	Max.	Rated	Max.	L	M	SAE
G.6-2AAK-3	1.4	0.083	2900 (20)	4000 (28)	2000	4000	42 (1.654)	80.3 (3.161)	In #8 ³ / ₄ - 16 Out #6 ⁹ / ₁₆ - 18
G.9-2AAK-3	2.0	0.125					43 (1.693)	82.3 (3.240)	
G1.9-2AAK-3	4.1	0.250					46 (1.811)	88.3 (3.476)	

Ordering Information

G1.9 - 2AAK - 3

