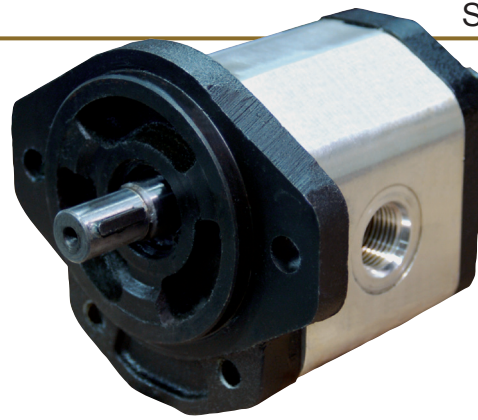


Features

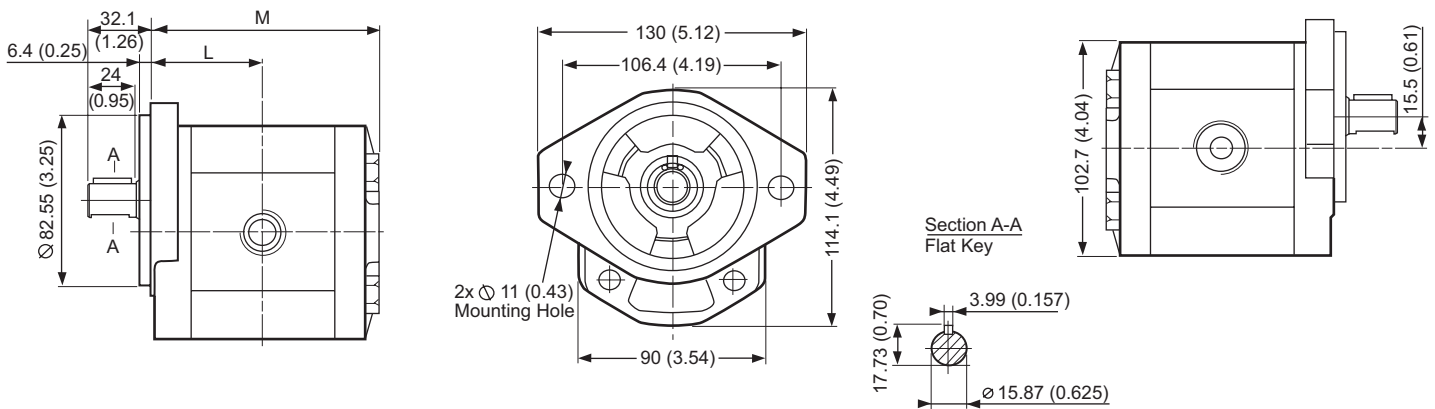
- Simple Compact Design
- High Mechanical and Volumetric Efficiency
- Low Noise Levels During Pump Operation
- Cast Iron Flange and Rear Cover
- Aluminum Alloy Body
- Hardened Steel Gears



G8.5-2AK-3

Dimensional Data

Units: mm (inches)



Model	Displacement		Pressure ^{psi} (mpa)		RPM		Dimensions ^{mm} (inch)		Port SAE
	ml/r.	cu.in/r.	Continuous	Max.	Rated	Max.	L	M	
G3.0-2AK-3	7.0	0.428	2900 (20)	4000 (28)	2000	4000	47.7 (1.878)	97.4 (3.835)	In #12 1 ¹ / ₁₆ - 12 Out #10 7 ⁸ / ₈ - 14
G4.5-2AK-3	9.6	0.584					49.6 (1.953)	101.3 (3.988)	
G5.5-2AK-3	11.5	0.701					51.3 (2.020)	104.6 (4.118)	
G6.7-2AK-3	14.0	0.857					53.4 (2.102)	108.9 (4.287)	
G8.5-2AK-3	17.8	1.050					56.4 (2.220)	114.9 (4.524)	
G10.0-2AK-3	21.0	1.285	2600(18)	2900(20)	2200	59.1 (2.327)	120.3 (4.736)		

Ordering Information

G8.5 - 2AK - 3

