



INDUSTRIAL FLUID POWER COMPONENTS
AND SYSTEMS

E24 & E32 SERIES

Electric Actuated Ball Valves



E24-D3BV-24FP-12D



E32-D3BV-32FP-110A

Standard Features

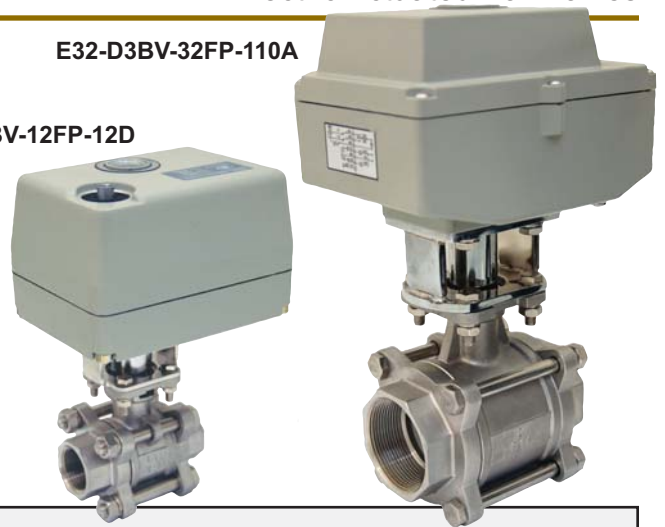
- 12/ 24VDC & 110VAC Voltage Available
- Double Acting
- Manual Override is Safe and Easy
- Visual Position Indicator On Top Standard
- Metal Core, Reliable Quality and Excellent Torque
- IP67 Enclosure
- For Use With Ball Valves Sizes 1/2" thru 2"

Applications

- Water Treatment Industry
- Process Control
- Industrial Automation
- Pharmaceutical Equipment
- Cleaning Equipment

E32-D3BV-32FP-110A

E24-D3BV-12FP-12D



Notes

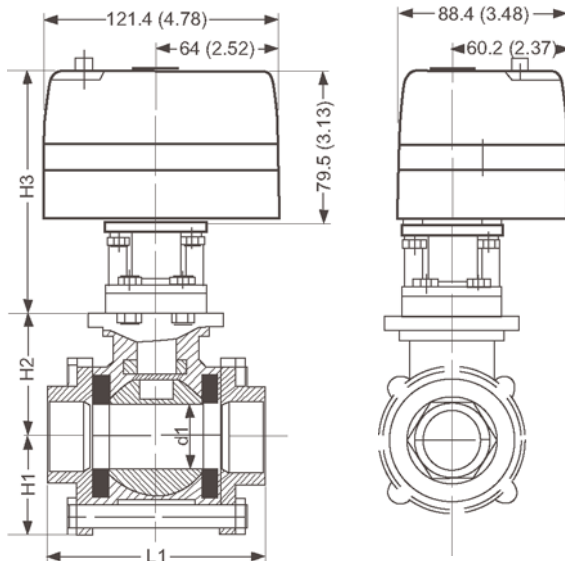
Once opened or closed, the actuator **DOES NOT** continue to draw power due to an internal cutoff.

If a power loss occurs the valve will remain in its current position. The actuator is **NOT** spring return.

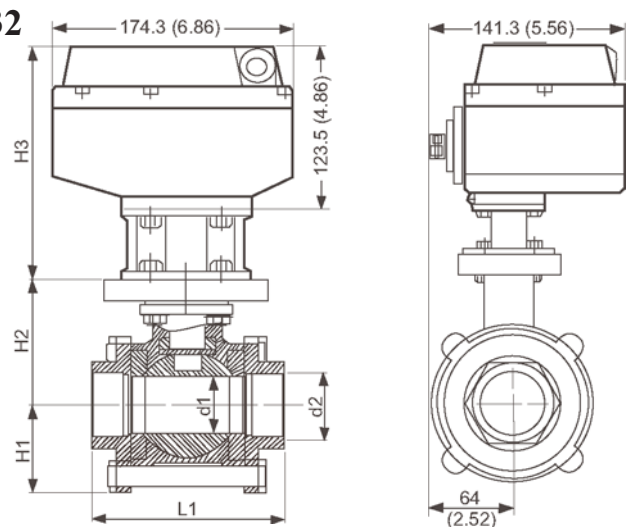
Dimensional Data

Units: mm (inches)

E24



E32



E24	SIZE	H1	H2	H3	L1	d1	Wt kg (lb)
	1/2"	22.5 (0.89)	42 (1.65)	114.5(4.50)	72 (2.83)	15 (0.59)	1.9 (4.19)
	3/4"	22.5 (0.89)	48 (1.89)	114.5(4.50)	80 (3.15)	20 (0.78)	2.1 (4.63)
	1"	30.0 (1.18)	55 (2.17)	114.5(4.50)	85 (3.35)	25 (0.98)	2.5 (5.51)
	1-1/4"	36.5 (1.44)	60 (2.36)	114.5(4.50)	105 (4.13)	32 (1.26)	3.1 (6.83)
	1-1/2"	40.0 (1.57)	70 (2.75)	114.5(4.50)	113 (4.45)	38 (1.50)	3.8 (8.38)

E32	SIZE	H1	H2	H3	L1	d1	Wt kg (lb)
	2"	46.5 (1.83)	85 (3.35)	173.5(6.83)	132 (5.20)	50 (1.97)	7.4 (16.31)
	2-1/2"	61.5 (2.42)	109 (4.29)	173.5(6.83)	170 (6.69)	65 (2.56)	11.4 (25.13)
	3"	69.0 (2.72)	118 (4.65)	173.5(6.83)	186 (7.32)	76 (2.99)	14.8 (32.62)
	4"	110.0 (4.33)	120 (4.72)	173.5(6.83)	220 (8.66)	94 (3.70)	25.7 (56.65)

Technical Data

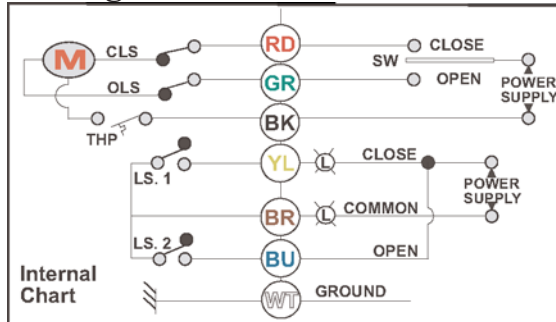
Series	Control	Max. Torque	Operating Time	Working Voltage	Input Power	Max. Pressure	Medium Temp.	Ambient Temp.
E24	On/ Off	40Nm (354 in/lbs)	10S	12/ 24VDC & 110VAC	40 Watts Max.	6.0 Mpa (870 psi)	0°C to 100°C (32°F to 212°F)	-20°C to 45°C (-4°F to 113°F)
E32		300Nm (2654 in/lbs)	25S	24VDC & 110VAC	220 Watts Max.			

IP67 Enclosure Duty Cycle: 10%

Main Components

Part	Material
Actuator Housing	Die-cast Aluminum
Coupling	Die-cast Metal
Bracket	Stainless, Carbon Steel
Valve Body	Stainless Steel
Valve Ball	Stainless Steel
Stem	Stainless Steel
Ball Seat	PTFE
Seal	EPDM

Wiring



Instructions:

- If Power is connected with GR, the valve will open and keep on. At this time, LS.1 is opened, giving signal of opening totally.
- If Power is connected with RD, the valve will close and keep off. At this time, LS.2 is opened, giving signal of closing.

Hybrid Assemblies

E24 & E32 actuators can be mounted to 2 or 3 Way High Pressure Steel (3/4" - 2") or Stainless Steel (3/4" - 2") Ball Valves.

Please contact for more information.



Ordering Information

E 24 - B2BV - 24 FP - 110A

