

DIRECT ACTING RELIEF VALVES

DR SERIES- STAINLESS STEEL DIRECT ACTING RELIEF VALVES



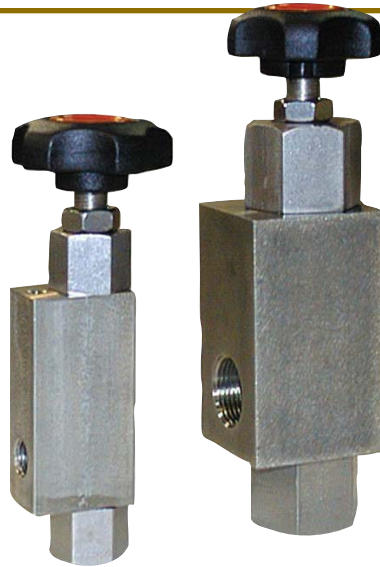
1/4" thru 3/4"

DR Series Direct Acting Relief Valves 316SS

Body, Cap, Stem,
Knob, Guide
316SS

*Poppet, Seat
440C SS

Spring 18-8SS

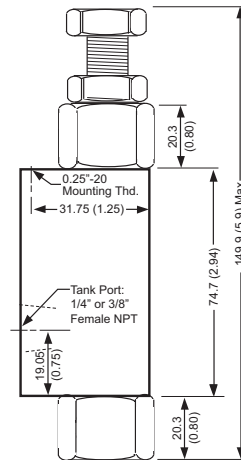
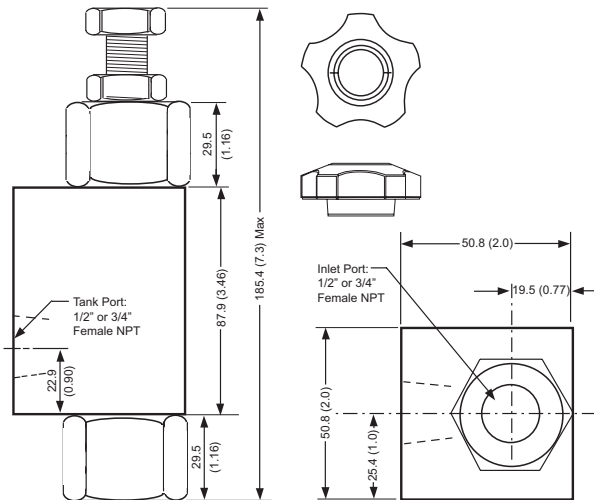


Maximum Set Pressure- 3/8" Valve Body						
ORIFICE SIZE						
	1.5 (3/32")	2 (1/8")	3 (3/16)	4 (1/4")	6 (3/8")	
SPRING	-1	570	325	150	80	70
	-2	1,250	750	330	180	80
	-3	2,550	1,500	670	360	160
	-4	5,100	2,950	1,330	730	330
	-5	10,400	6,050	2,700	1,450	650
	-6	21,000	12,500	5,440	3,000	1,300
	-7	30,000	18,750	8,330	4,600	2,000

Select spring with a maximum pressure 2 times the required pressure

Maximum Set Pressure- 3/4" Valve Body								
ORIFICE SIZE								
	1.5 (3/32")	2 (1/8")	3 (3/16)	4 (1/4")	6 (3/8")	8 (1/2")	10 (5/8")	
SPRING	-1	1,140	670	300	160	70	40	26
	-2	2,290	1,330	590	330	150	80	52
	-3	4,710	2,750	1,220	670	300	170	110
	-4	9,430	5,500	2,440	1,350	600	340	215
	-5	20,857	12,170	5,410	2,980	1,330	750	475
	-6	45,140	26,330	11,700	6,450	2,870	1,610	1,030
	-7	58,000	33,830	15,040	8,290	3,690	2,070	1,320

Select spring with a maximum pressure 2 times the required pressure



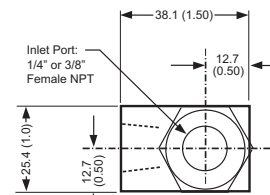
Common Models:

DR3H-6-2-4FP-5D1 1/4" 6,000 psi
DR10H-6-2-4FP-5D1 1/4" 6,000 psi

DR3H-6-2-4FP-6D1 1/4" 10,000 psi
DR10H-6-2-4FP-6D1 1/4" 10,000 psi

Units: mm/ (Inch)

Note: Add 0.45" height if knob option "K" is used



Ordering Information

DR1H - 6 - 2 - 4FP - 6FP - 5D1 - Options

1= Buna, 2= Viton

Code	Style	Code	Size	Code	Orifice (dia)	Code	Port Size Inlet	Spring
DR1H	Non-Guided, Excellent Re-seat (90%), Low Flows- 3/32" & 1/8" orifices only, 12,000 psi max., 2 gpm max.	6	3/8"	1.5	3/32"	4FP	1/4"	1
DR2H	Internal Guided, High Flows- 3/8" orifice only, 8gpm max., 2000 psi max., totally 316SS (Poppet and Seat supplied 316SS).	12	3/4"	2	1/8"	6FP	3/8"	2
DR3H	Externally Guided, Quiet, All pressure/ flow ranges (all orifices and springs shown above.)			4	1/4"	8FP	1/2"	3
DR5H	Externally Guided, Excellent Re-seat (90%), High Pressure 30,000 psi max., Low Flows- 3/32" & 1/8" orifices only, 2 gpm max.			6	3/8"	12FP	3/4"	4
DR10H	Short Body-Economical, Non-Guided, Good Re-seat (85%), Low Flows 1/8" orifice only, 12,500 psi max., 1 gpm max.			8	1/2"	4FA	9/16"-18 Aminco	5
				10	5/8"			6

Code	Port Size Outlet
4FP	1/4"
6FP	3/8"
8FP	1/2"
12FP	3/4"
4FA	9/16"-18 Aminco

Omit if same as the inlet

OPTIONS

Option "P" - Panel Mounting (Std. for 3/8" valve)

Option "K" - Plastic Knob (2.4" dia x .95)