

DIRECT ACTING RELIEF VALVES

DR SERIES- DIRECT ACTING RELIEF VALVES



DR Series Direct Acting Relief Valves

Anodized Aluminum Body
Cap, Stem, Knob- 316SS
Spring 18-8SS
Plastic Knob Available

Common Models

	2 GPM Max. Low Leakage Direct Acting	6 GPM Max. Sliding Poppet- Differential Area Relief- 5/32" Orifice Direct Acting
3000 psi max	1/4" NPT DR3H-6-2-4FP-4A1 (1/8" Orifice)	1/4" NPT DR11-2.5-4FP-6A1 3/8" NPT DR11-2.5-6FP-6A1
4500 psi max	1/4" NPT DR3H-6-2-4FP-5A1 (1/8" Orifice)	1/4" NPT DR11-2.5-4FP-7A1 3/8" NPT DR11-2.5-6FP-7A1

- For best results use valve at 1/2 of the maximum set pressure.
- 2 GPM valve (1/8" orifice) is well suited for control of pilot vents.

Maximum Set Pressure- 3/8" Valve Body						
ORIFICE SIZE						
	1.5 (3/32")	2 (1/8")	3 (3/16)	4 (1/4")	6 (3/8")	
S P R I N G	-1	570	325	150	80	70
	-2	1,250	750	330	180	80
	-3	2,550	1,500	670	360	160
	-4	5,100	2,950	1,330	730	330
	-5	10,400	6,050	2,700	1,450	650
	-6	21,000	12,500	5,440	3,000	1,300
	-7	30,000	18,750	8,330	4,600	2,000

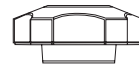
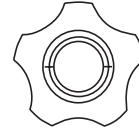
Select spring with a maximum pressure 2 times the required pressure

1/4" & 3/8"

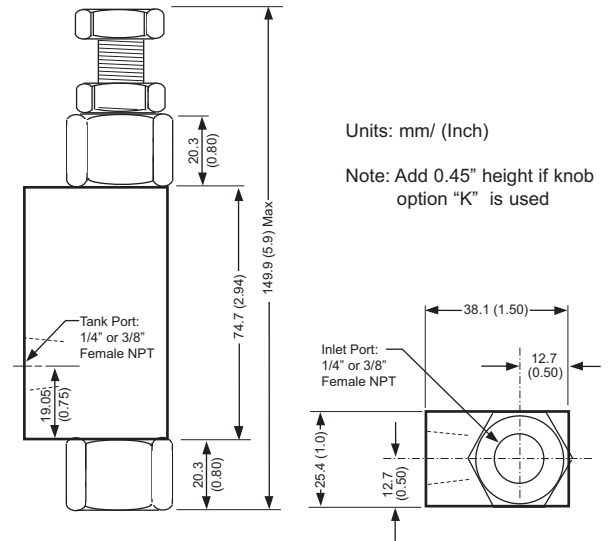


Option "K"
Plastic Knob
(2.4" dia x .95)

Option "P"
Panel Mount



Dimensional Data



Ordering Information

DR1H - 6 - 2 - 4FP - 6FP - 5A1 - Options

