

CHECK VALVES

C6 SERIES- NPT STAINLESS STEEL CHECK VALVES



1/4" thru 1"

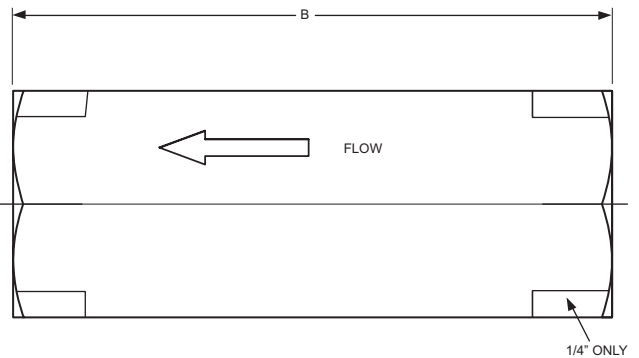


C6 Series Stainless Steel Check Valves

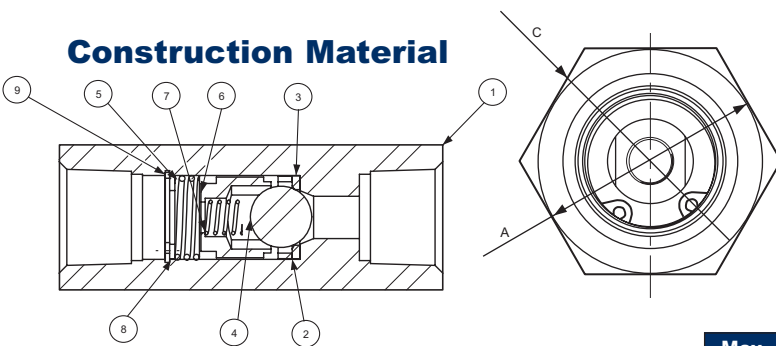
Specifications

1. Dual Seat Design
2. 1/4", 3/8", 1/2", 9/16"-18, 3/4" and 1" ports
3. 10,000 thru 20,000 psi maximum
4. Reinforced Teflon Seat

Dimensional Data



Construction Material



	Description	Material
1	BODY	316SS CW
2	RING	316SS CW
3	SOFT SEAT	30% GTFE
4	BALL	440C
5	SNAP RING	PH 15-7 MO
6	BALL RETAINER	316SS CW
7	PILOT SPRING	302SS
8	SPRING RETAINER	316SS CW
9	MAIN SPRING	302SS

Max Press.	Port Size	Model	CV	A	B	C
20,000 psi	9/16"-18	C6-9MA-D4		34.8 (1.37)	89.0 (3.50)	
15,000 psi	1/4"	C6-4FP-D4	1.25	22.4 (0.88)	76.2 (3.00)	25.4 (1.00)
	3/8"	C6-6FP-D4	1.25	25.4 (1.00)	69.9 (2.75)	—
	1/2"	C6-8FP-D4	2.16	30.0 (1.18)	79.2 (3.12)	—
10,000 psi	3/4"	C6-12FP-D4	4.00	35.1 (1.38)	82.6 (3.25)	—
	1"	C6-16FP-D4	5.00	44.5 (1.75)	108.0(4.25)	—

Units: mm (inches)



Ordering Information

C6 - 4 - FP - D 4

Code	Style	Code	Size	Code	Connection	Code	Material	Code	Seat
C6	C6 Series Check Valve	4	1/4"	FP	Female Pipe	D	316 Stainless Steel	4	Reinforced Teflon Seat
C6FA	C6 Series Check Valve (Female Aminco- 9/16-18)	6	3/8"	MA	Male Aminco				
		8	1/2"		Autoclave Female				
		9	9/16"-18						
		12	3/4"						
		16	1"						

