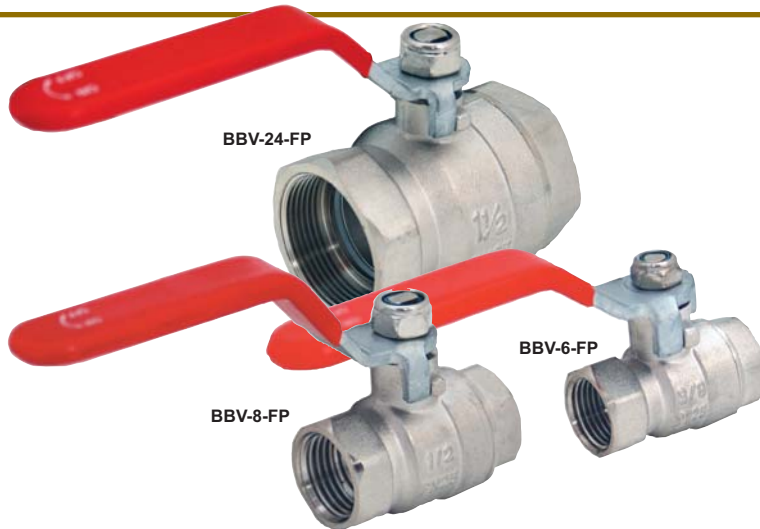


BALL VALVES

B SERIES- BRASS BALL VALVES



1/4" thru 4"

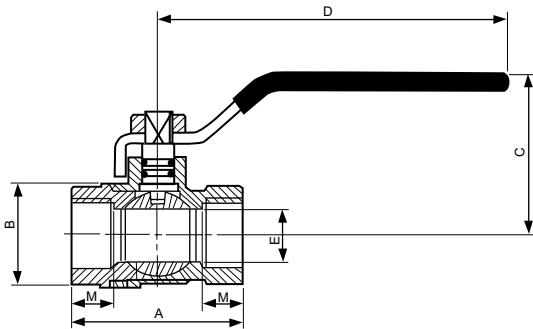


B Series Brass Valves

Specifications

- 1/4" thru 4" NPT
- Pressure Ratings:**
 1/4" thru 2": 600 psi @ 100°F, 100 psi @ 375°F
 2-1/2" thru 4": 400 psi @ 100°F, 100 psi @ 200°F
- Materials:**
 Body - Brass
 Bonnet - Brass
 Ball Seat - PTFE
 Ball - Brass
 Stem - Brass
 O Ring - NBR
 Handle - Steel
 Nut - Steel

Dimensional Data



SIZE (NPT)	Model	A	B	C	D	E	M
1/4" female	BBV-4FP	40.3(1.58)	23(0.90)	39.4(1.55)	85(3.35)	9(0.35)	8.5(0.33)
3/8" female	BBV-6FP	40.3(1.58)	23(0.90)	39.4(1.55)	85(3.35)	9(0.35)	8.5(0.33)
3/8" female x male	BBV-6FP-6MP						
1/2" female	BBV-8FP	48.5(1.91)	29.5(1.16)	47.5(1.87)	98(3.86)	14.8(0.58)	10.8(0.42)
1/2" female x male	BBV-8FP-8MP						
3/4" female	BBV-12FP	54.6(2.15)	35.5(1.40)	51(2.00)	98(3.86)	19(0.75)	11(0.43)
3/4" female x male	BBV-12FP-12MP						
1" female	BBV-16FP	64(2.52)	42.7(1.68)	61(2.40)	123(4.84)	24(0.94)	13.5(0.53)
1" female x male	BBV-16FP-16MP						
1-1/4" female	BBV-20FP	76(2.99)	53(2.08)	72.5(2.85)	142(5.59)	30.2(1.19)	15(0.59)
1-1/2" female	BBV-24FP	87(3.42)	63(2.48)	77.5(3.05)	142(5.59)	37(1.45)	16.5(0.65)
2" female	BBV-32FP	97(3.82)	79(3.11)	86(3.38)	165(6.49)	47(1.85)	16.5(0.65)
2-1/2" female	BBV-40FP	132(5.19)	103(4.05)	115.5(4.55)	225(8.86)	62(2.44)	24(0.94)
3" female	BBV-48FP	152.4(6.0)	121(4.76)	124(4.88)	225(8.86)	74(2.91)	26.5(1.04)
4" female	BBV-64FP	179(7.04)	145(5.71)	135.5(5.33)	250(9.84)	90(3.54)	30(1.18)

Units: Inches

Ordering Information

BBV - 12 - FP - MP

Code	Style	Code	Size	Code	Connection	Code	Connection
BBV	Brass Ball Valve	4	1/4"	FP	Female Pipe	MP	Male Pipe
		6	3/8"				
		8	1/2"				
		12	3/4"				
		16	1"				
		20	1-1/4"				
		24	1-1/2"				
		32	2"				
		40	2-1/2"				
		48	3"				
		64	4"				

MP available for sizes 3/8", 1/2", 3/4" & 1" only

