

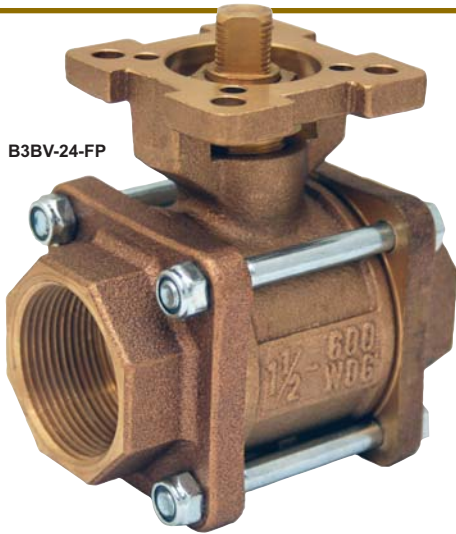
BALL VALVES

B3 SERIES- BRASS BALL VALVES- ISO5211



1/2" thru 2"

B3BV-24-FP

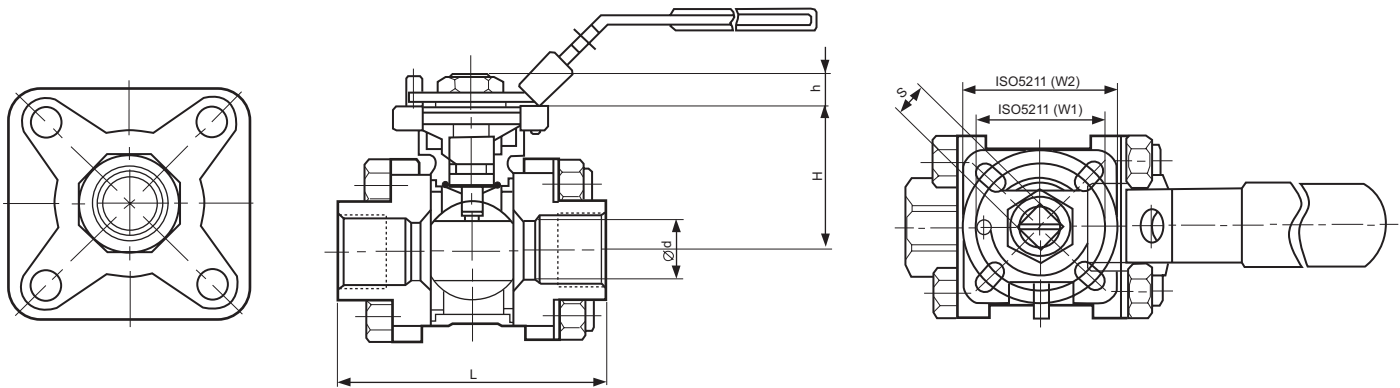


Specifications

1. 3 Piece, Full Ported Design
2. 1/2" thru 2" Female NPT
3. ISO5211 Direct Mounting Pad
4. 600 psi maximum
5. Oil, Water and Air Service

B3 Series Brass Ball Valves- ISO5211

Dimensional Data



SIZE	Model	Ø d	L	H	h	S	W1	W2	ISO5211	Wt kg (lb)
1/2"	B3-BV-8FP-V2	15.0(0.59)	65.5(2.58)	38 (1.50)	7 (0.28)	9 (0.35)	36 (1.42)	42 (1.65)	F03/ F04	
3/4"	B3-BV-12FP-V2	20.0(0.79)	77.6(3.06)	42.4(1.67)	9 (0.35)	9 (0.35)	36 (1.42)	42 (1.65)	F03/ F04	
1"	B3-BV-16FP-V2	25.0(0.98)	83.5(3.29)	48.5(1.91)	12 (0.47)	11 (0.43)	42 (1.65)	50 (1.97)	F04/ F05	
1-1/4"	B3-BV-20FP-V2	32.0(1.26)	102.5(4.04)	54 (2.13)	12 (0.47)	11 (0.43)	42 (1.65)	50 (1.97)	F04/ F05	
1-1/2"	B3-BV-24FP-V2	40.0(1.58)	117.6(4.63)	66 (2.60)	16 (0.63)	14 (0.55)	50 (1.97)	70 (2.75)	F05/ F07	
2"	B3-BV-32FP-V2	50.0(1.97)	130.2(5.13)	74 (2.91)	16 (0.63)	14 (0.55)	50 (1.97)	70 (2.75)	F05/ F07	

Units: mm (inches)

Ordering Information

B3BV - 12 - FP - V2

Code	Style	Code	Size	Code	Connection	Optional
B3BV	Brass Ball Valve 3 Piece w/ISO5211 Mounting Pad	8	1/2"	FP	Female Pipe	V2- Handle w/ Locking Device
		12	3/4"			
		16	1"			
		20	1-1/4"			
		24	1-1/2"			
		32	2"			

