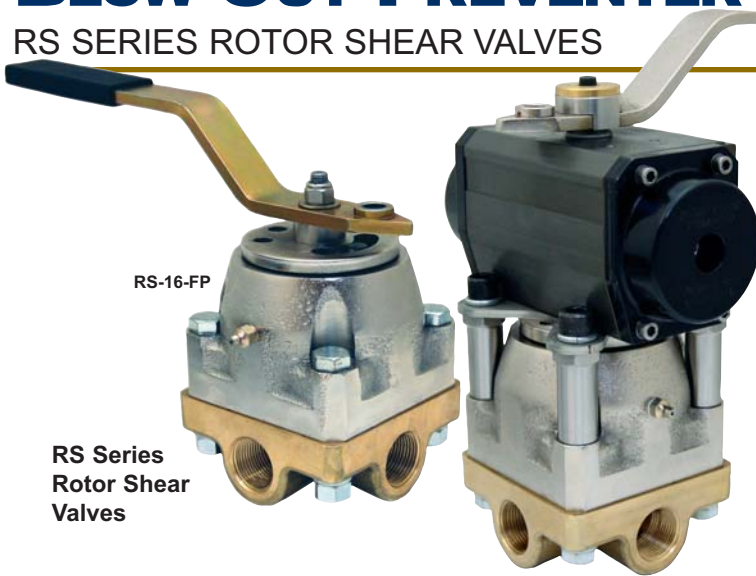


BLOW OUT PREVENTER VALVES

RS SERIES ROTOR SHEAR VALVES



RS-16-FP

RS Series Rotor Shear Valves

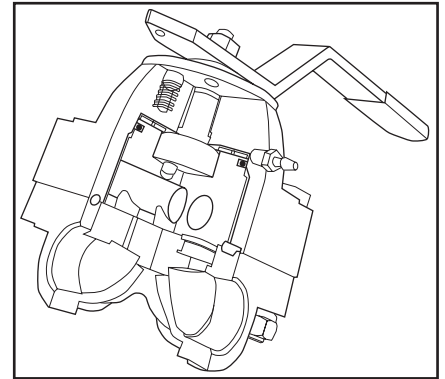
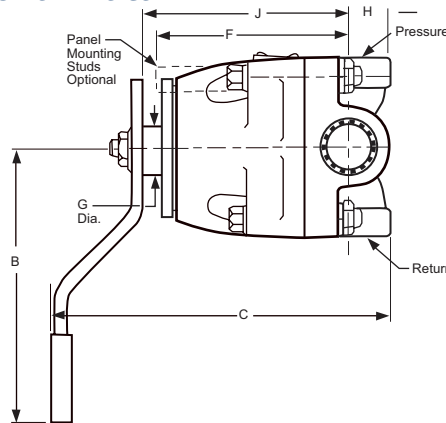
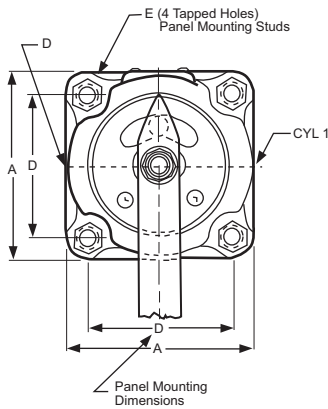
1/2" & 1"

Specifications

- 1/2" & 1" NPT ports
- Working Pressure: 6000 psi (413 bar) max.
- Cv Factor: 3.20 or 9.20
- Media Temperature Range: -40° to 250°F (-40° to 121°C)
- Materials: **Body - Rotor - Housing - Ductile Iron, E-Nickel Plated Shaft -**

SIZE	Flow Capacity (Approx.)			Min. Flow Passage dia	Cv Factor	Weight lbs (kgs)
	20 ft/ sec gpm (lpm)	40 ft/ sec gpm (lpm)	60 ft/ sec gpm (lpm)			
1/2"	9 (34)	19 (72)	28 (106)	7/16"	3.20	8.5 (3.9)
1"	25 (95)	50 (189)	75 (284)	23/32"	9.20	21.5 (9.8)

Dimensional Data



SIZE	A	B	C	D	E	F	G Dia.	H	J
1/2"	83.8 (3.3)	177.8 (7.0)	165.1 (6.5)	61.0 (2.4)	3/8 - 16 NC	88.9 (3.5)	27.9 (1.1)	17.8 (0.7)	99.1 (3.9)
1"	116.8 (4.6)	254.0 (10.0)	221.0 (8.7)	91.4 (3.6)	1/2 - 13 NC	121.9 (4.8)	33.0 (1.3)	25.4 (1.0)	132.1 (5.2)

Units: mm (inches)

Hyvair vs. Standard Valve Comparison

HYVAIR VALVE



Intentionally enlarged grease pocket

Roller Needle Bearings provide more than 2x the dynamic load rating of standard thrust bearings



10% more flow area from cross drilled holes

STANDARD VALVE



Low Grease Fitting. Ported too low in body. Grease goes straight into hydraulic system.

Standard Thrust Bearings



Ordering Information

RS-8 - 16 - FP -

Code	Style	Code	Size	Code	Size	Code	Connection
RS-8	Rotor Shear Valve	6	3/8"	12	3/4"	FP	Female Pipe
RS-16		8	1/2"	16	1"		

