

ACTUATED BALL VALVES

A SERIES AIR ACTUATED BALL VALVES



1/2" thru 2"

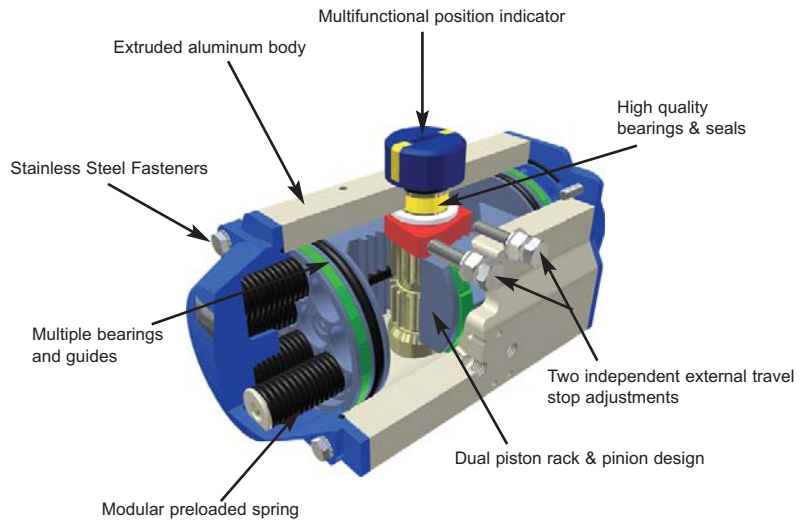


Pneumatic Actuator

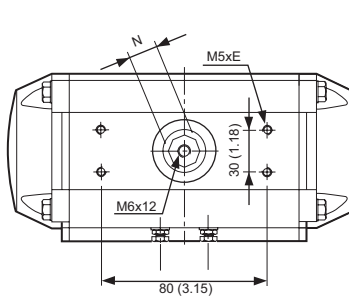
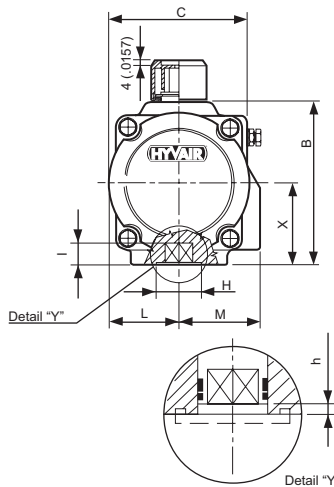
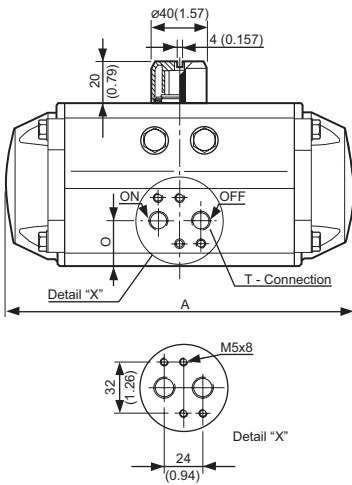
Features

1. ISO 5211 Mounting Pattern
2. Aluminum Body
3. Rack & Pinion Double Acting and Spring Return
4. Low Friction Bearings and High Cycle Life

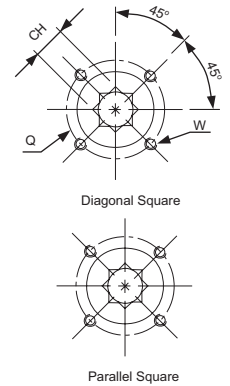
Construction



Dimensional Data



Bottom View - ISO 5211



MODEL	A	B	C	H	I min.	L	M	N	O	Q	W	T-ISO228	CH	h min	X
A16 SR/ DA	140.5 (5.53)	69 (2.72)	59 (2.32)	30 (1.18)	12 (0.47)	29 (1.14)	41.5 (1.63)	11 (0.43)	26.5 (1.04)	42 (1.65)	M5	1/4"	11 (0.43)	0.5 (0.02)	34.5 (1.36)
A20 SR/ DA	158.5 (6.24)	85 (3.35)	72 (2.83)	35 (1.38)	16 (0.63)	36 (1.42)	47 (1.85)	11 (0.43)	30 (1.18)	50 (1.97)	M6	1/4"	14 (0.55)	0.5 (0.02)	42.5 (1.67)
A32 SR/ DA	210.5 (8.29)	102 (4.02)	84.5 (3.33)	35 (1.38)	16 (0.63)	42.5 (1.67)	52 (2.05)	19 (0.75)	30.5 (1.20)	50 (1.97)	M6	1/4"	14 (0.55)	1.5 (0.06)	51 (2.01)

Units: mm (inches)

Torque Ratings

SPRING RETURN TORQUE RATINGS IN (LB - IN)																				
Supply Pressure	40psi		50psi		60psi		70psi		80psi		90psi		100psi		110psi		116psi		Spring Stroke	
	0°	90°	0°	90°	0°	90°	0°	90°	0°	90°	0°	90°	0°	90°	0°	90°	0°	90°	0°	90°
MODEL	Start	End	Start	End	Start	End	Start	End	Start	End	Start	End	Start	End	Start	End	Start	End	Start	End
A16 SR			53.7	32.4	74	52.7	94.3	73	115	93	135	114	155	134	175	154	188	166	69	47.7
A20 SR			100	59.5	136	95.2	172	131	208	167	243	203	279	238	315	274	337	296	119	78.6
A32 SR			198	110	269	181	340	252	412	323	483	394	554	465	625	536	667	579	245	157

DOUBLE ACTING TORQUE RATINGS IN (LB - IN)									
Supply Pressure	40psi	50psi	60psi	70psi	80psi	90psi	100psi	110psi	116psi
MODEL									
A16 DA	81.1	101	122	142	162	183	203	223	235
A20 DA	143	179	215	251	286	322	358	394	415
A32 DA	284	335	426	497	568	639	710	781	824



ACTUATED BALL VALVES

A SERIES AIR ACTUATED BALL VALVES

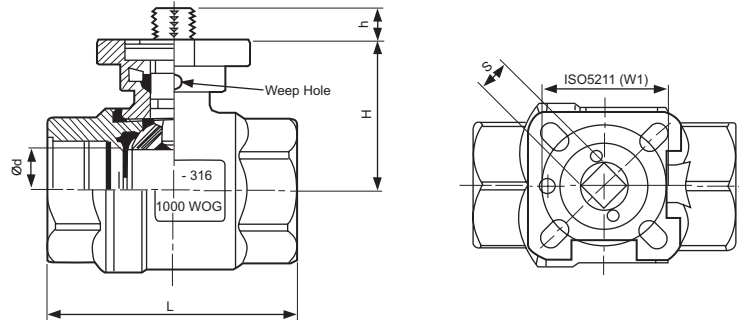


1/2" thru 2"



2 Way, 2 Piece Stainless Steel Ball Valve

Dimensional Data



Features

1. ISO 5211 Direct Mounting Pad
2. Stainless Steel Cast Body and End
3. Anti-Blowout Stem - Weep Hole
4. Adjustable Vee Style Stem Packing

MODEL	ød	L	H	h	S	W1	ISO-5211
D2BV-8FP	15 (0.59)	60 (2.36)	38 (1.50)	7 (0.28)	9 (0.35)	36 (1.42)	F03/F04
D2BV-12FP	20 (0.79)	70 (2.76)	42.4 (1.67)	9 (0.35)	9 (0.35)	36 (1.42)	F03/F04
D2BV-16FP	25 (0.98)	82 (3.23)	48.5 (1.91)	12 (0.47)	11 (0.43)	42 (1.65)	F04/F05
D2BV-20FP	32 (1.26)	96 (3.78)	54 (2.13)	12 (0.47)	11 (0.43)	42 (1.65)	F04/F05
D2BV-24FP	38 (1.50)	112 (4.41)	66 (2.60)	16 (0.63)	14 (0.55)	50 (1.97)	F05/F07
D2BV-32FP	50 (1.97)	126 (4.96)	74 (2.91)	16 (0.63)	14 (0.55)	50 (1.97)	F05/F07

Units: mm (inches)



A16SR-D2BV-8FP



A20SR-D2BV-24FP



A20SR-D2BV-24FP-SVXN-604-542S-110A

Air Actuated Ball Valve with Explosion Proof Solenoid Valve

Ordering Information

A 20 SR - D2 BV 3 - 24 FP

Air Actuator	Code	Valve Size		D2	2 Piece Stainless Steel Ball Valve ISO 5211 Mount (standard)	omit for 2 Way (standard)	Port Size	Port Type
	16	1/2" - 3/4"		D3	3 Piece Stainless Steel Ball Valve ISO 5211 Mount	3 3 Way	8= 1/2"	FP= Female Pipe
	20	1" - 1 1/2"	SR Spring Return	B2	2 Piece Brass Ball Valve ISO 5211 Mount		12= 3/4"	FS= Female SAE
	32	2"	DA Double Acting	B3	3 Piece Brass Ball Valve ISO 5211 Mount		16= 1"	(S & SS only)
				S	3 Piece High Pressure Steel Ball Valve		20= 1-1/4"	
				SS	3 Piece High Pressure Stainless Steel Ball Valve		24= 1-1/2"	
							32= 2"	

