

SMALL POWER UNITS

HT SERIES- AC HORIZONTAL TANK

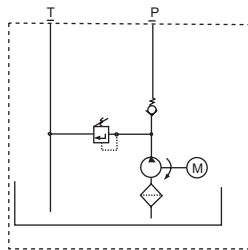


HT Series



HT Series AC Motor

Standard Configuration



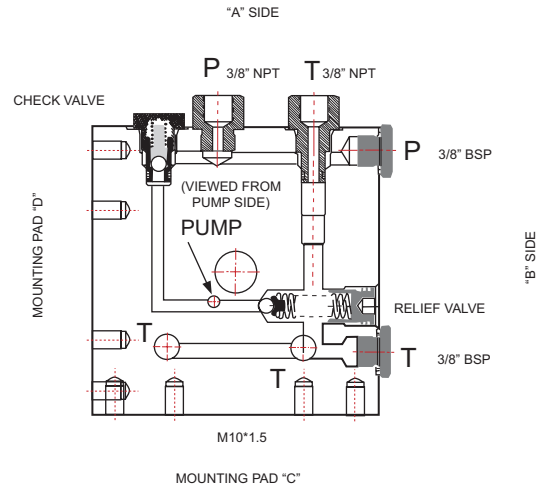
Hyd. Schematic

Ordering Information

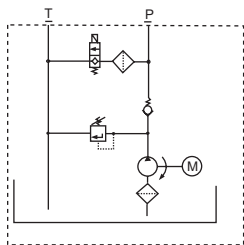
HT 2 - 1HP1 - G1.4 - Options

| Gallons | HP | Phase | Flow | Option |
|---------|----|-------|------------|---|
| 0.8 | 1 | 1 | .7 | DV |
| 1.3 | 2 | 3 | 1.4 | Dump Valve (specify voltage & current type) |
| 2 | 3 | | 3 | D03 |
| | | | (GPM@1800) | Manifold (specify number of manifold stations & type of circuit: parallel or series) |

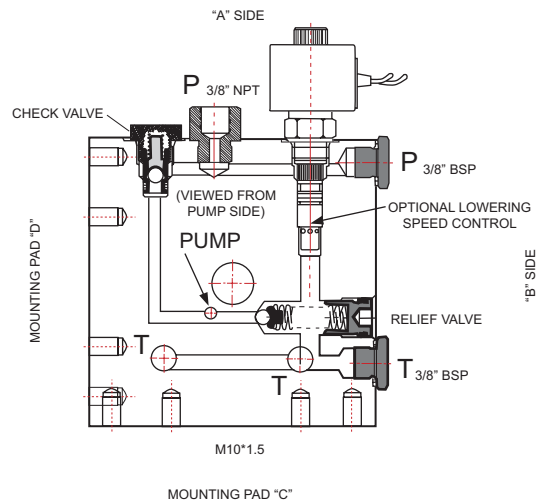
Rated @ 2500 PSI Max.
Intermittent Duty



With Lowering Valve- DV



Hyd. Schematic



SMALL POWER UNITS

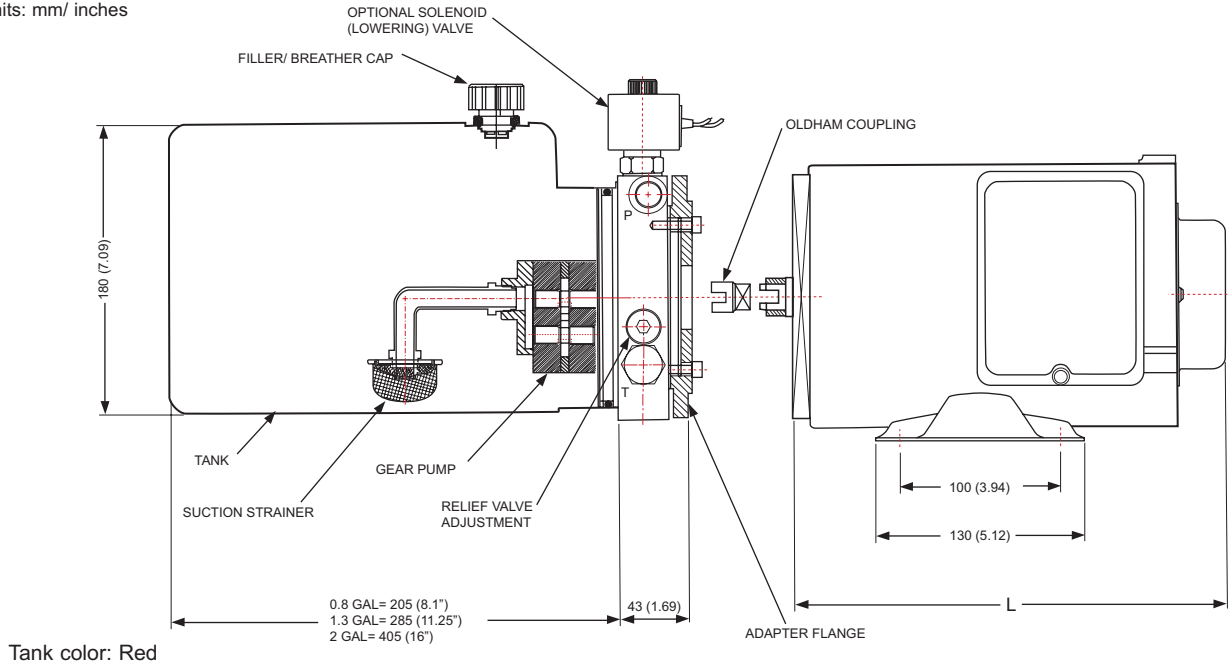
HT SERIES- AC HORIZONTAL TANK



HT Series

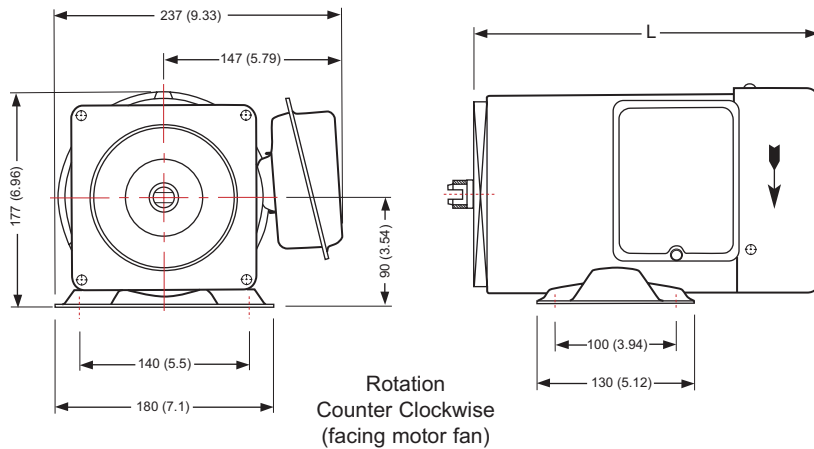
Dimensional Data .5 thru 3 HP

Units: mm/ inches



Tank color: Red

Dimensional Data 1 thru 3 HP



| MOTOR | POWER | PHASE | VOLTAGE | HERTZ | "L" DIM |
|-------|-------|-------|---------|-------|--------------|
| .5HP1 | .5HP | 1 | 110/220 | 60 | 232 (9.125") |
| 1HP1 | 1HP | 1 | 110/220 | 60 | 280 (11") |
| 1HP3 | 1HP | 3 | 220/440 | 60 | 260 (10.25") |
| 2HP1 | 2HP | 1 | 110/220 | 60 | 300 (11.8") |
| 2HP3 | 2HP | 3 | 220/440 | 60 | 280 (11") |
| 3HP3 | 3HP | 3 | 220/440 | 60 | 300 (11.8") |

All motors are rated at 1725 RPM

Dimensional Data .5 HP only

