

A10V PUMPS

A10VO/ VSO 71 45° (SERIES 31)



SAE C



A10VO71/ A10VSO71
(PCP33)

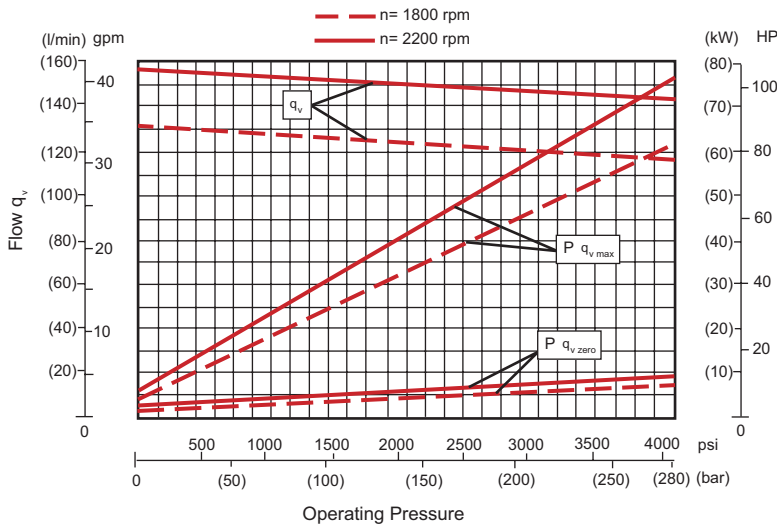
Specifications A10VO71/ A10VSO71 (PCP33) 45° (Series 31)

Working Pressure	4000 psi
Maximum Pressure	5000 psi
Maximum Speed	2200 rpm
Displacement per rev	4.33 cu-in (71.0cc)
Flow @ 1800 rpm	33.8 gpm (128 lpm)
Maximum Torque	316 Nm (2797 in/lbs)
Weight	72.8 lbs (33 kgs)

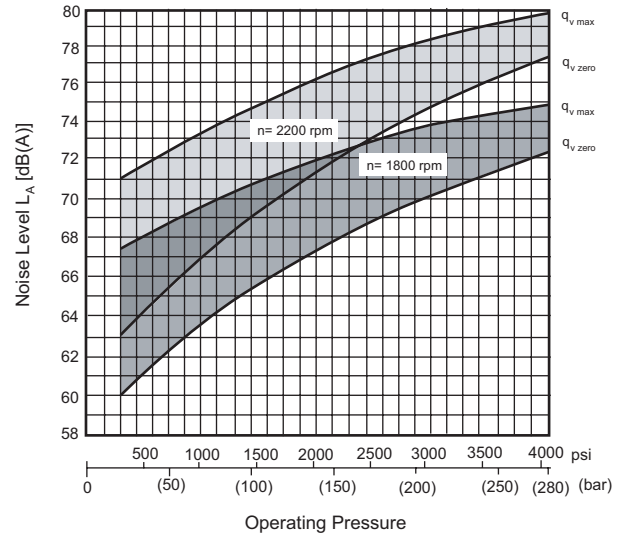
Performance Data

Typical performance curves based on ISO VG32 Oil @122°F, (50°C)

Pressure vs. Flow

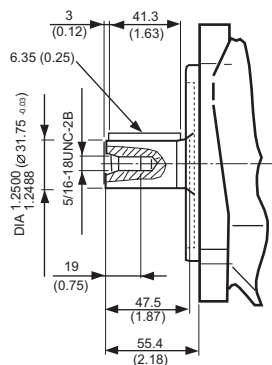


Noise Level

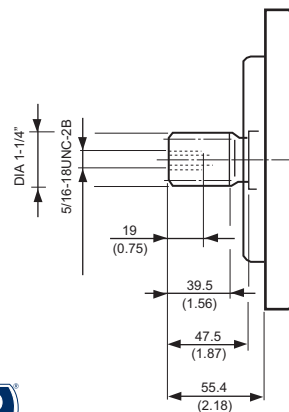


SHAFT ENDS

K Parallel with key



S Splined Shaft 1-1/4 in.
SAE C 14T (12/24 DP)



A10V PUMPS

A10VO/ VSO 71 45° (SERIES 31)

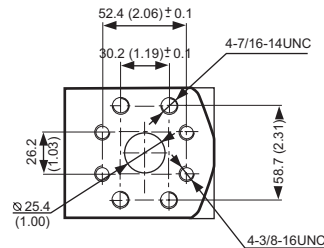
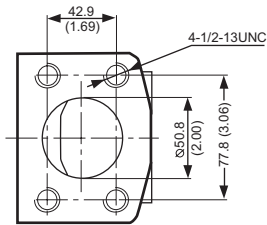
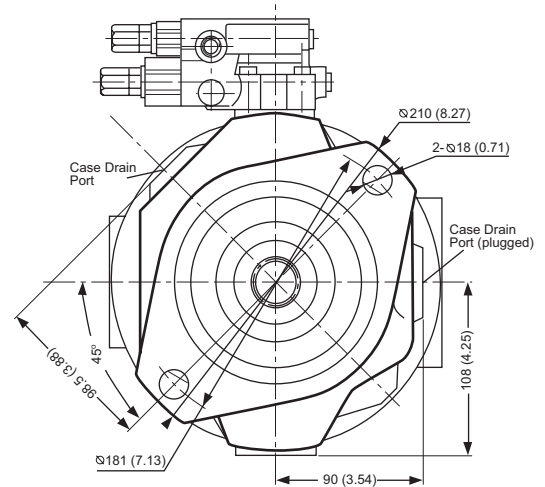
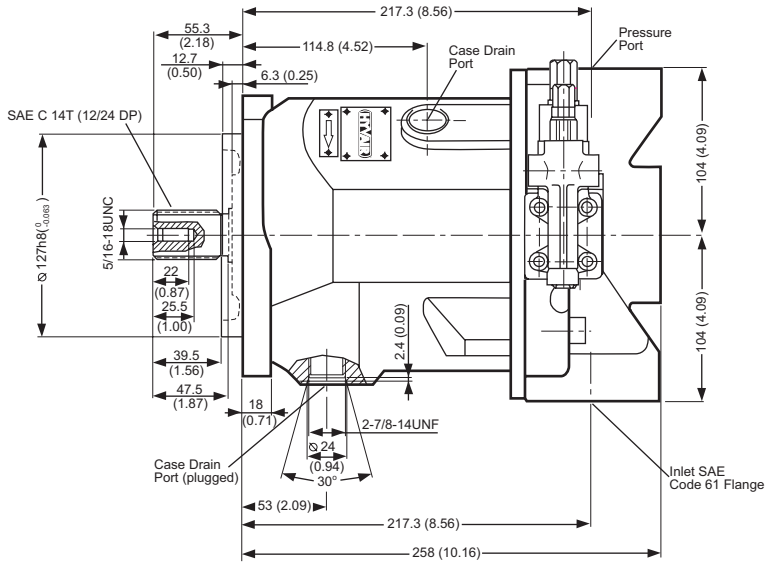


SAE C

Dimensional Data

PCP33-4K-2CS-2 / A10VS071DFR/31R-PKC62-N00

Units: mm (Inch)
Weight: 72.8 lbs/ 33 kgs



Ordering Information

PCP33 - 4K - 2CK - 2AS - 2

Note: Available right hand rotation (only)- viewed facing pump shaft

Size (GPM)	Code	Pressure Range
33	4K	500-4000 PSI

Code	Mounting Style
2CS	2-Bolt SAE C, 14 Tooth Spline, 12/24 DP
2CK	2-Bolt SAE C, 1-1/4" Dia. Keyed Shaft x 1.625" Long w/ 1/4" Key, w/ Flow Adj.

Series 2 Porting	
Inlet-	2" SAE Code 61 Flange
Outlet-	1" SAE Code 61 Flange
Case Drain-	#6 Female SAE

Code	Mounting Style
2AS	2-Bolt SAE A, 9 Tooth Spline, 16/32 DP

*omit if not required

