

A10V PUMPS

A10VO/ VSO 100 90° (SERIES 31)



SAE CC



A10VO100/ A10VSO100
(PCP47)

Specifications

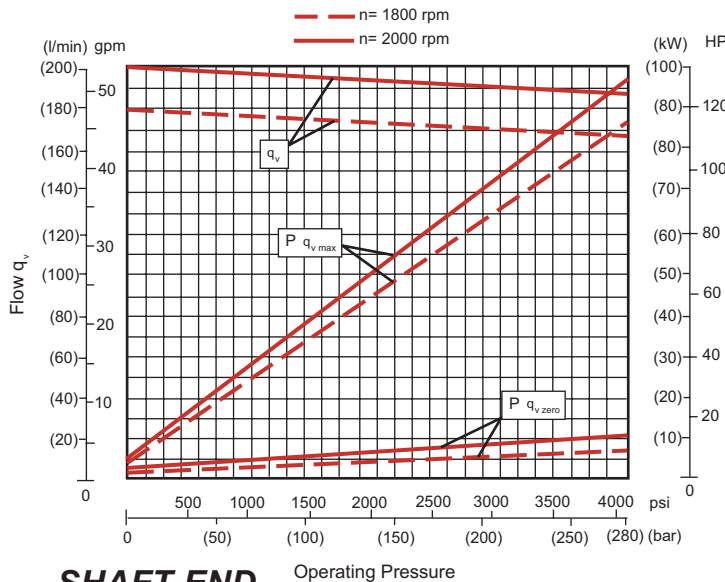
A10VO100/ A10VSO100 (PCP47) 90° (Series 31)

Working Pressure	4000 psi
Maximum Pressure	5000 psi
Maximum Speed	2000 rpm
Displacement per rev	6.10 cu-in (100.0cc)
Flow @ 1800 rpm	47.5 gpm (180 lpm)
Maximum Torque	445 Nm (3939 in/lbs)
Weight	99.2 lbs (45 kgs)

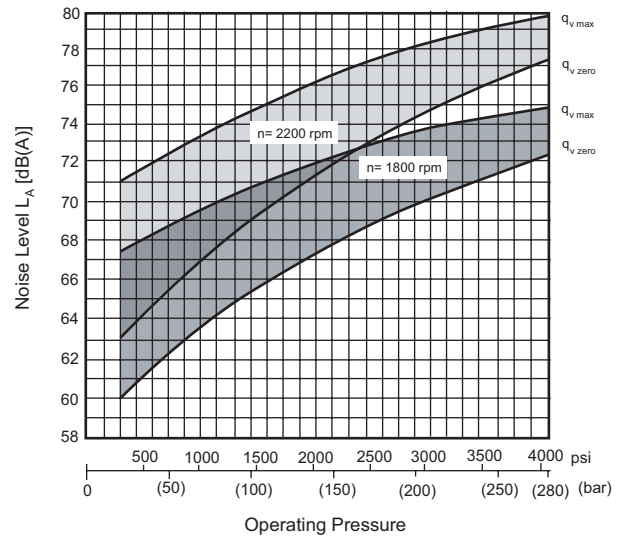
Performance Data

Typical performance curves based on ISO VG32 Oil @122°F, (50°C)

Pressure vs. Flow

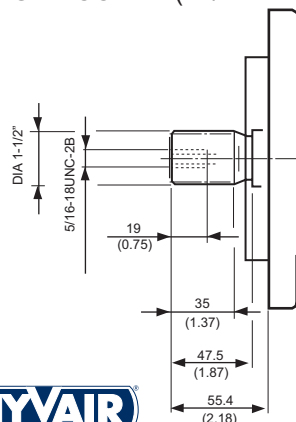


Noise Level



SHAFT END

U Splined Shaft 1-1/2 in.
SAE CC 17T (12/24 DP)



A10V PUMPS

A10VO/ VSO 100 90° (SERIES 31)

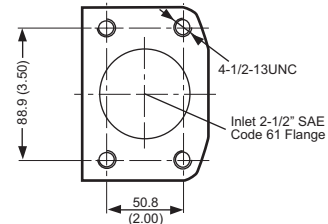
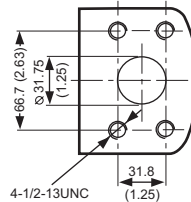
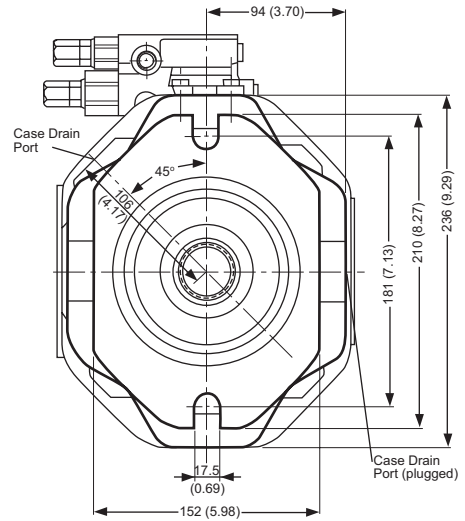
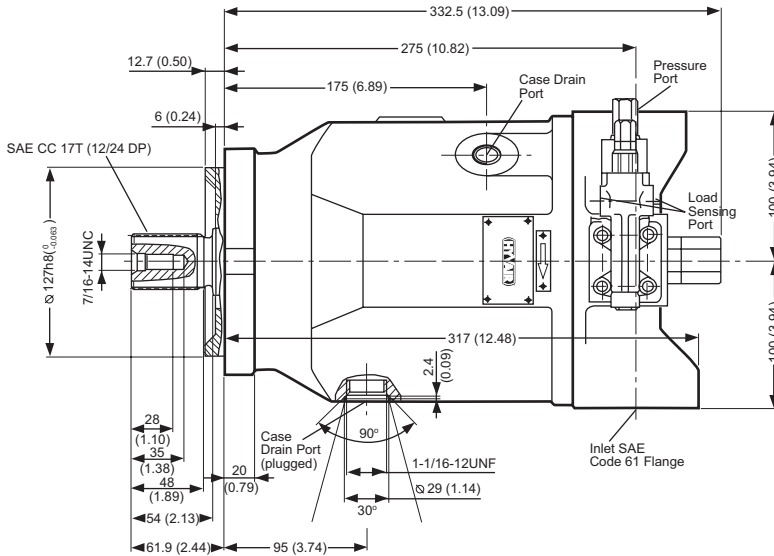


SAE CC

Dimensional Data

PCP47-4K-2CCS-2 / A10VS0100DFR/31R-PSC62-N00

Units: mm (Inch)
Weight: 99.2 lbs/ 45 kgs



Ordering Information

PCP47 - 4K - 2CCS - 2

Note: Available right hand rotation (only)- viewed facing pump shaft

Size (GPM)	Code	Pressure Range	Code	Mounting Style	Series 2 Porting
47	4K	500-4000 PSI	2CCS	2-Bolt SAE CC, 1-1/2" Dia. 17 Tooth Spline, 12/24 DP	Inlet- 2-1/2" SAE Code 61 Flange Outlet- 1-1/4" SAE Code 62 Flange Case Drain- #6 Female SAE

